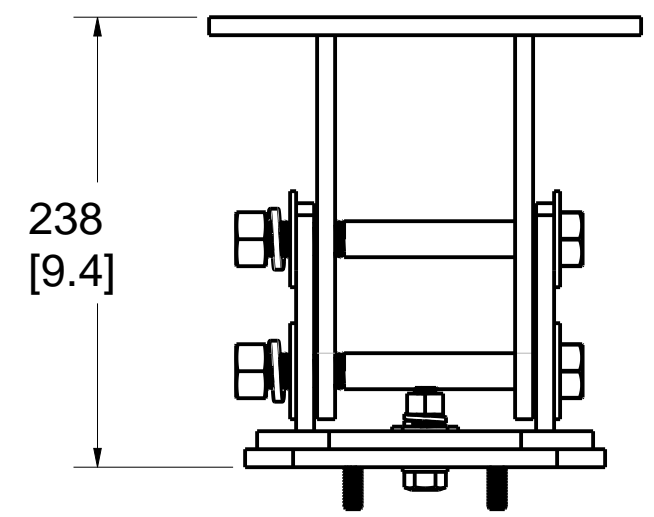
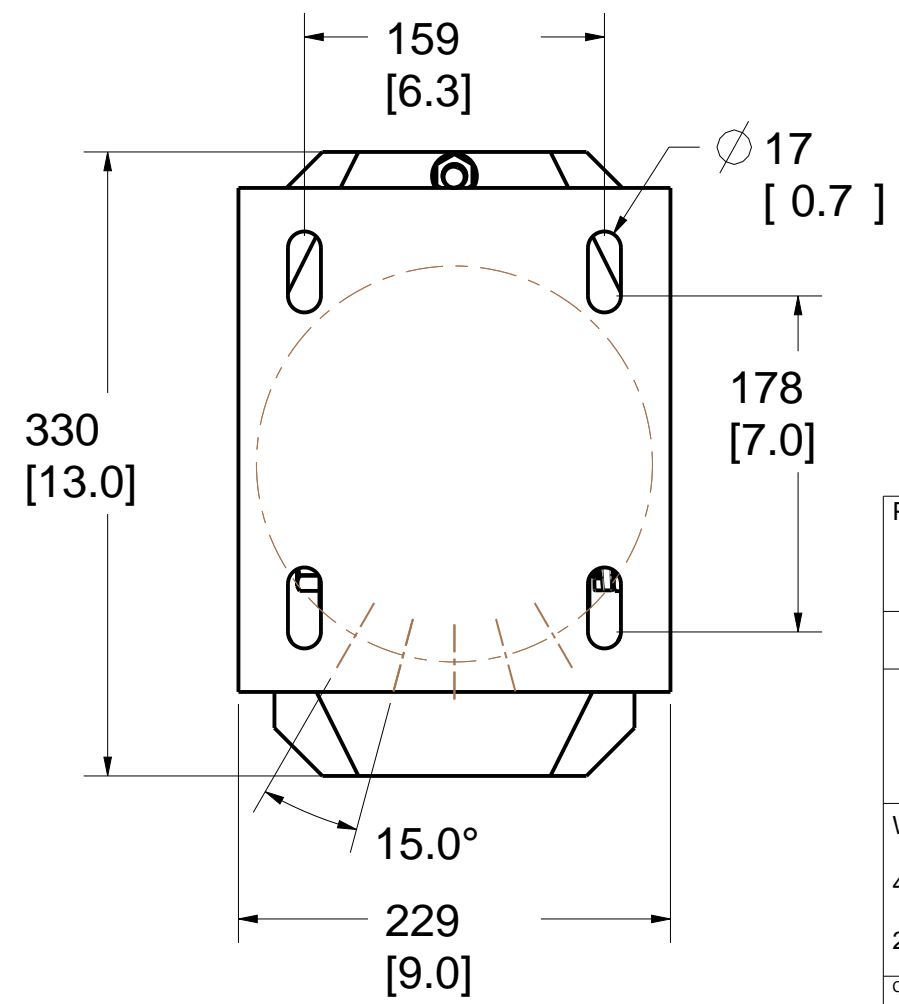
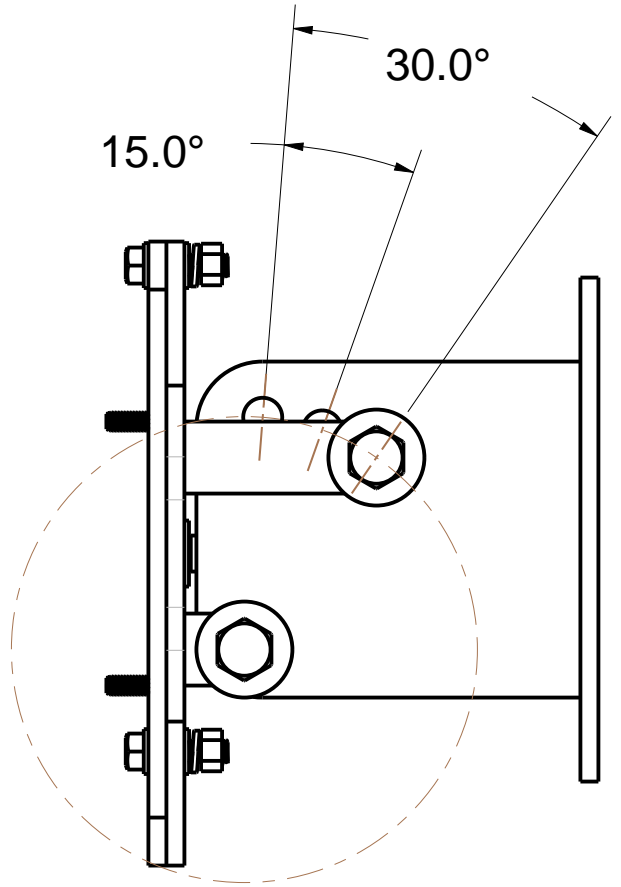
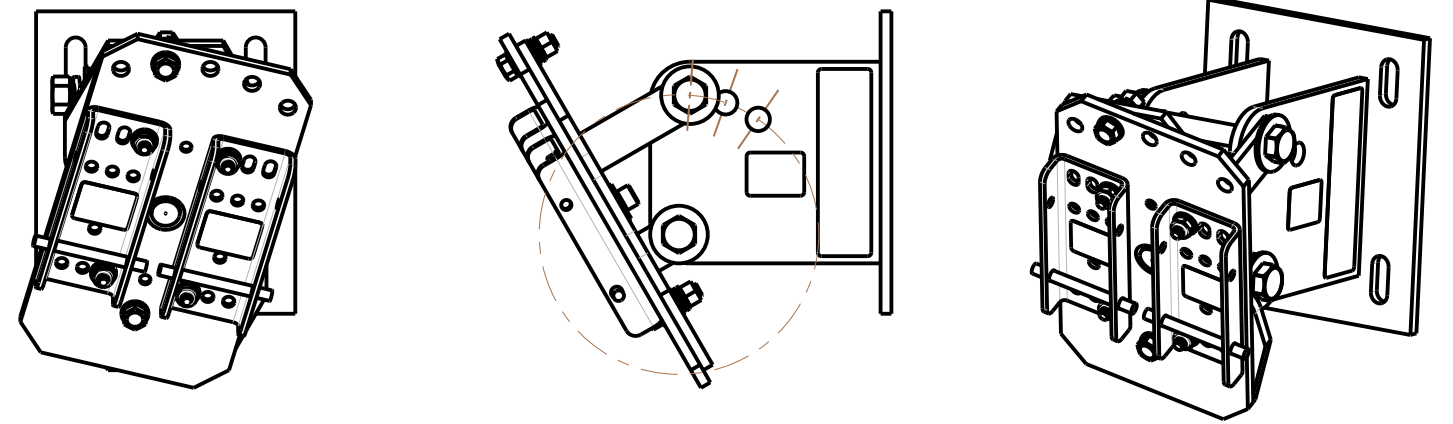
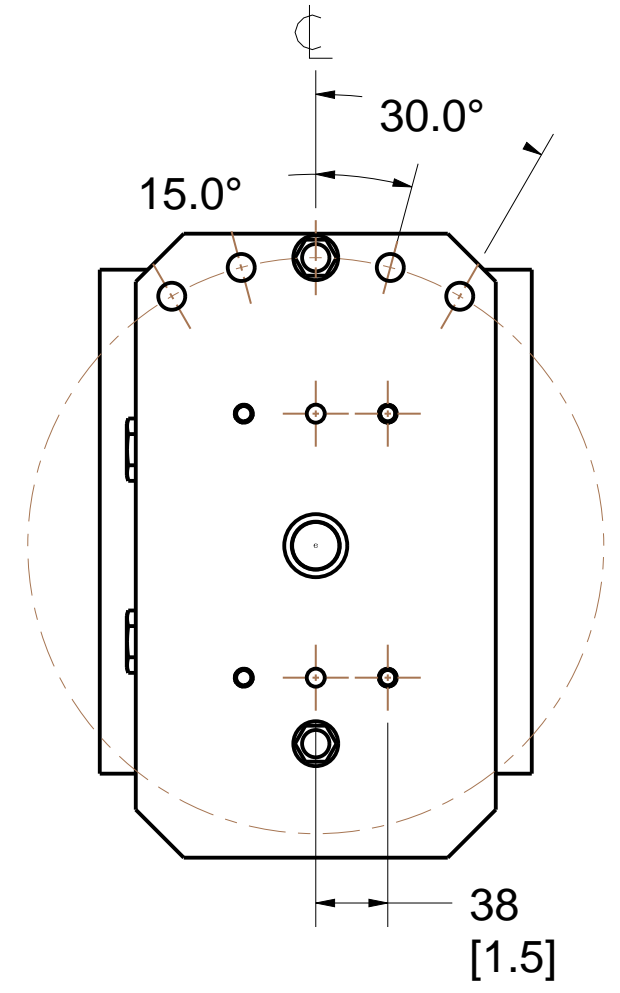


H  
G  
F  
E  
D  
C  
B  
A

H  
G  
F  
E  
D  
C  
B  
A



PAT. NO.:		©07/06/2012 ©	
<b>PRODUITS DE SERVICE PUBLICS INNOVA INC.</b> <b>INNOVA PUBLIC UTILITY PRODUCTS INC.</b>			
<small>© 9105-0732 QUEBEC INC. and under exclusive license to INNOVA PUBLIC UTILITY PRODUCTS INC. (hereafter « INNOVA »). All rights reserved. Protected under the Copyright Act of Canada and international treaties and agreements regarding copyrights. Violators are subject to prosecution and other legal recourses for infringement. Any reproduction, adaptation or other use or disclosure whatsoever, in totality or in part, and in any form or by any means whatsoever, strictly forbidden and requires the prior written approval of INNOVA. All data is the exclusive property of 9105-0732 QUEBEC INC. and under exclusive license to INNOVA and cannot be used nor disclosed in any way either without the prior written approval of INNOVA.</small>			
WEIGHT:	TITLE:		
47 Lb 21 Kg	<b>Wall mount SRL/winch adapter (adjustable)</b>		
COLOR:	MATERIAL:	SHEET(S):	PROJECT:
	Stainless 304	1 / 4	IN-2314

8 7 6 5 4 3 2 1

8 7 6 5 4 3 2 1

Product number: **IN-2314**

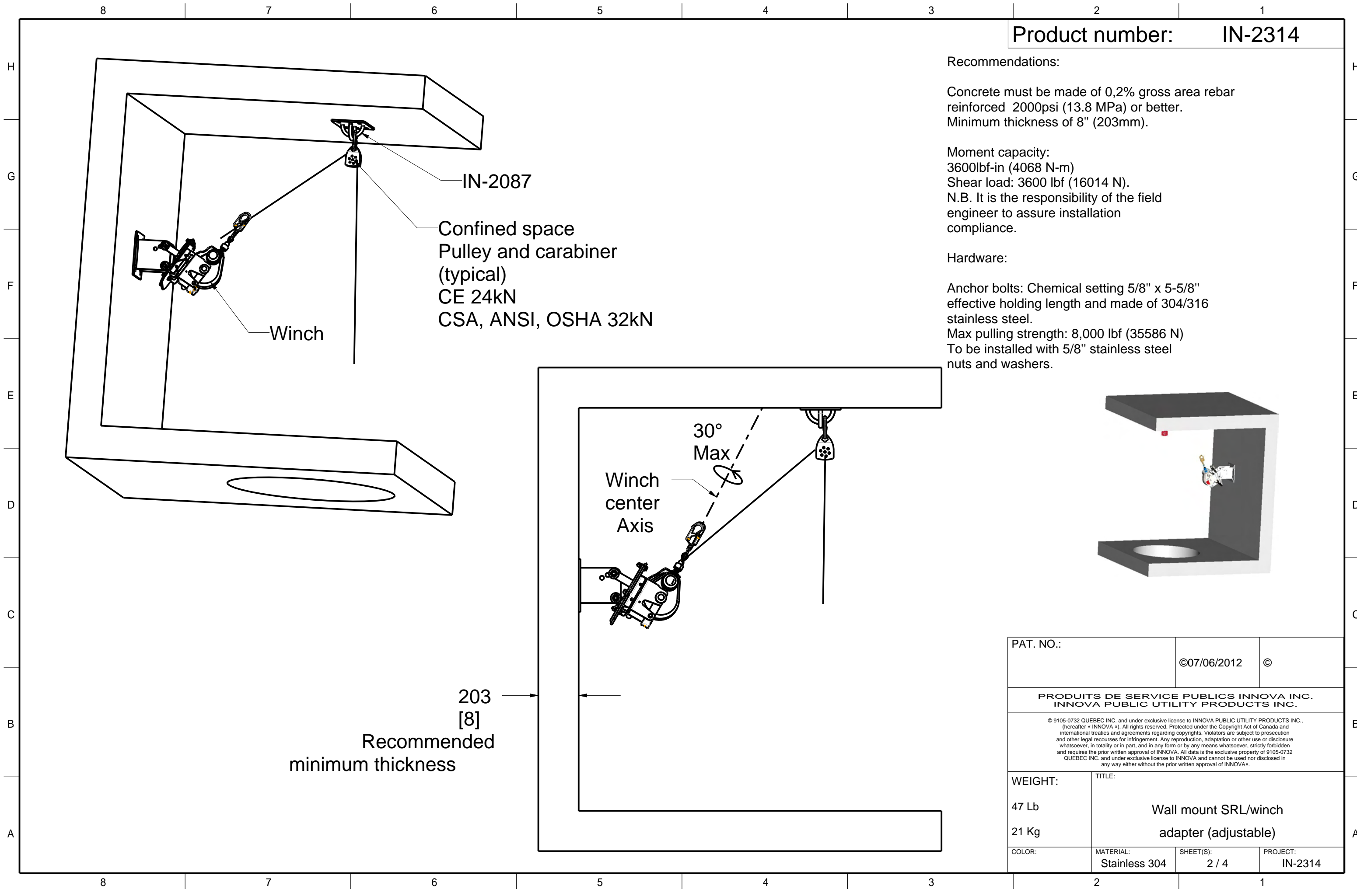
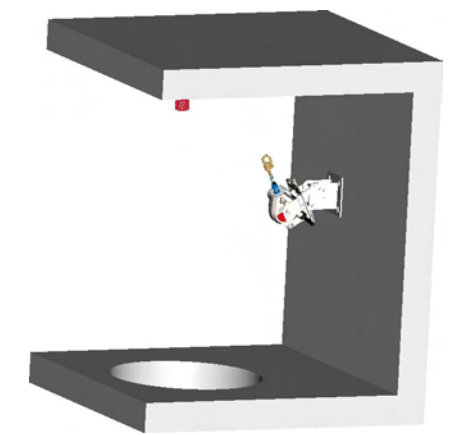
**Recommendations:**

Concrete must be made of 0,2% gross area rebar reinforced 2000psi (13.8 MPa) or better.  
Minimum thickness of 8" (203mm).

Moment capacity:  
3600lbf-in (4068 N-m)  
Shear load: 3600 lbf (16014 N).  
N.B. It is the responsibility of the field engineer to assure installation compliance.

**Hardware:**

Anchor bolts: Chemical setting 5/8" x 5-5/8" effective holding length and made of 304/316 stainless steel.  
Max pulling strength: 8,000 lbf (35586 N)  
To be installed with 5/8" stainless steel nuts and washers.



IN-2087  
Confined space  
Pulley and carabiner  
(typical)  
CE 24kN  
CSA, ANSI, OSHA 32kN

30°  
Max  
Winch center  
Axis

203  
[8]  
Recommended  
minimum thickness

PAT. NO.:		©07/06/2012	©
<b>PRODUITS DE SERVICE PUBLICS INNOVA INC.</b> <b>INNOVA PUBLIC UTILITY PRODUCTS INC.</b>			
<small>© 9105-0732 QUEBEC INC. and under exclusive license to INNOVA PUBLIC UTILITY PRODUCTS INC., (hereafter « INNOVA »). All rights reserved. Protected under the Copyright Act of Canada and international treaties and agreements regarding copyrights. Violators are subject to prosecution and other legal recourses for infringement. Any reproduction, adaptation or other use or disclosure whatsoever, in totality or in part, and in any form or by any means whatsoever, strictly forbidden and requires the prior written approval of INNOVA. All data is the exclusive property of 9105-0732 QUEBEC INC. and under exclusive license to INNOVA and cannot be used nor disclosed in any way either without the prior written approval of INNOVA.</small>			
WEIGHT:	TITLE:		
47 Lb 21 Kg	<b>Wall mount SRL/winch adapter (adjustable)</b>		
COLOR:	MATERIAL:	SHEET(S):	PROJECT:
	Stainless 304	2 / 4	IN-2314

SPECIFICATIONS

This equipment is considered as part of a personal fall arrest system (PFAS) with a maximum working capacity of 164 Kg (360 lb).

It is only to be used in conjunction with a personal fall arrest system that limits the maximum arrest force (MAF).

Maximum Working Load (user + equipment) : 164 kg (360 lb)  
 Maximum design Load : 1,640 kg (3,600 lb)

STANDARDS

Meets the following standards:

- OSHA Personal fall arrest system - 1910.66 App C
- ANSI Safety requirements for personal fall arrest system, subsystems and components Z359.1 ( R1999 ) / 2007
- CAN/CSA Fall arresters, vertical lifelines, and rails Z259.2.1-98
- CE EN 795:2012 Type A

MATERIAL AND CONSTRUCTION

- Support and swivel plate : Stainless Steel 304
- Hardware :Stainless Steel 304 and Steel zinc plated
- Mounting bracket : Clear trivalent zinc plated Steel (ASTM B-633-13, Type V, SC 3)
- Welding Certification : CSA W59 & W47.1, AWS D1.6

RESTRICTIONS

Winch adapters are designed to function only with Innova Public Utility products inc. equipment.

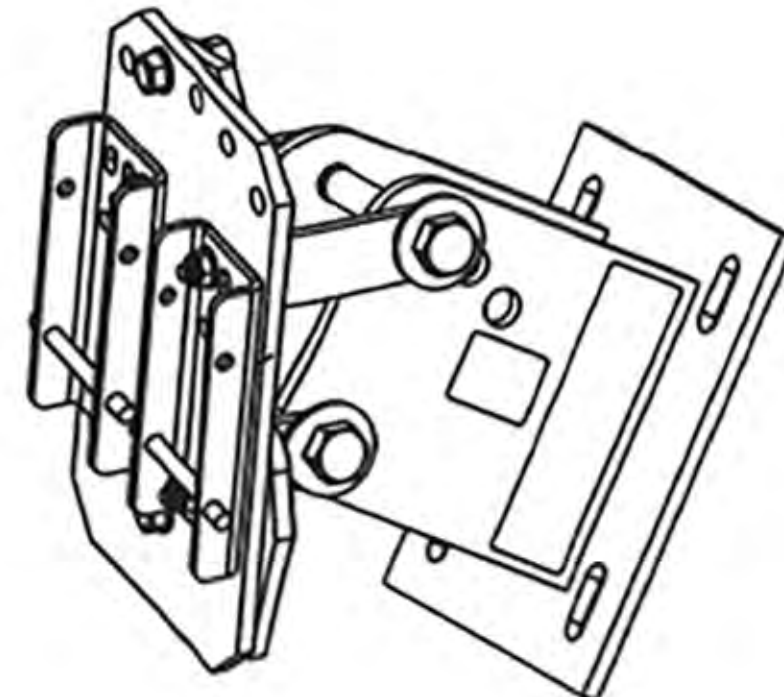
IMPORTANT:

The mounting pin and hardware must always be in place at all times. Always use the manufacturers original pin and hardware. No substitutes.

Periodic inspections of winch adapters must be done to ensure personnel safety.

In the occurrence of a fall or the safety of the equipment is in doubt, equipment must be immediately removed from service and inspected by qualified personnel before reuse.

Product number: IN-2314



PAT. NO.:		007/06/2012 ©	
PRODUITS DE SERVICE PUBLICS INNOVA INC. INNOVA PUBLIC UTILITY PRODUCTS INC.			
<small>© 2012-2016 INNOVA INC. and under exclusive license to INNOVA PUBLIC UTILITY PRODUCTS INC. All rights reserved. Product under the Copyright Act of Canada and international treaties and agreements regarding copyright. Patents are subject to examination and other legal processes for infringement. Any reproduction, adaptation or other use of disclosure without the prior written approval of INNOVA. All data is the exclusive property of INNOVA INC. and under exclusive license to INNOVA and cannot be used nor disclosed in any way without the prior written approval of INNOVA.</small>			
WEIGHT:	TYPE:		
47 Lb	Wall mount SRL/win		
21 Kg	adapter (adjustable)		
COLOR:	MATERIAL:	SHEET#:	PROJECT:
	Stainless 304	3 / 4	IN-2314

8

7

6

5

4

3

2

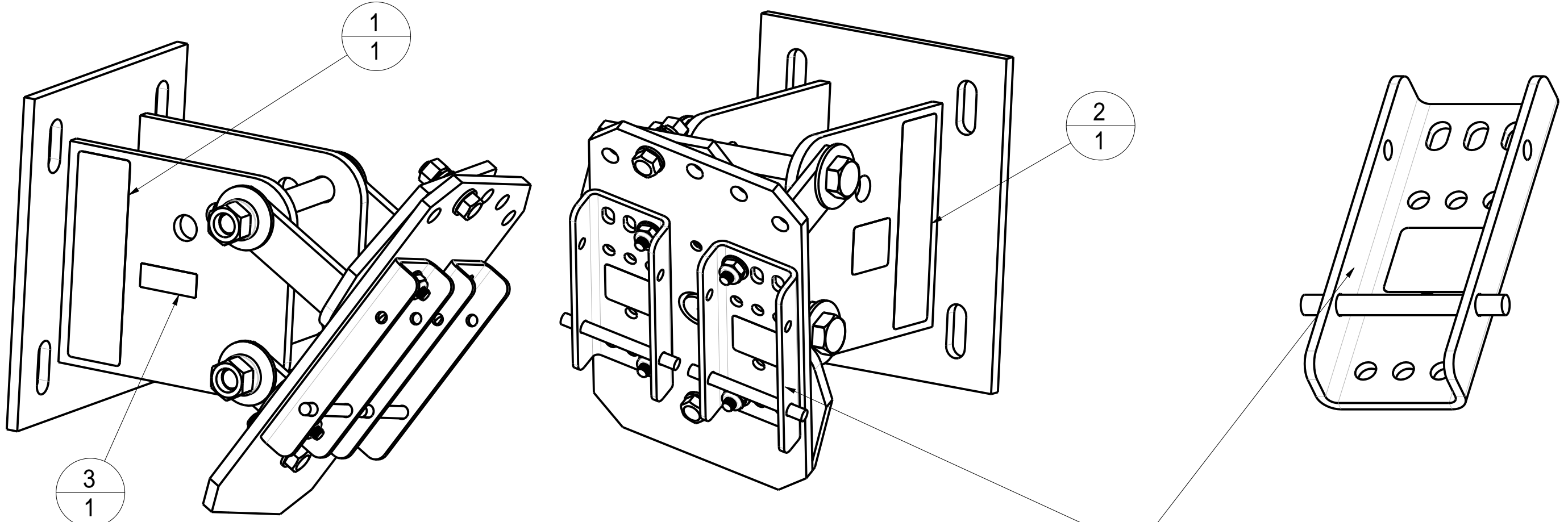
1

Product number: IN-2314

3	1	S2337-003	REV C	Security Label Type A
2	1	S2314-002	Rev A	Instruction label In English
1	1	S2314-001	Rev A	Instruction label In french
IDX	QTE	COMPONENT	REV	DESCRIPTION

H  
G  
F  
E  
D  
C  
B  
A

H  
G  
F  
E  
D  
C  
B  
A



A2002-22N  
2x

PAT. NO.:		©07/06/2012	©
<b>PRODUITS DE SERVICE PUBLICS INNOVA INC.</b> <b>INNOVA PUBLIC UTILITY PRODUCTS INC.</b>			
<small>© 9105-0732 QUEBEC INC. and under exclusive license to INNOVA PUBLIC UTILITY PRODUCTS INC., (hereafter « INNOVA »). All rights reserved. Protected under the Copyright Act of Canada and international treaties and agreements regarding copyrights. Violators are subject to prosecution and other legal recourses for infringement. Any reproduction, adaptation or other use or disclosure whatsoever, in totality or in part, and in any form or by any means whatsoever, strictly forbidden and requires the prior written approval of INNOVA. All data is the exclusive property of 9105-0732 QUEBEC INC. and under exclusive license to INNOVA and cannot be used nor disclosed in any way either without the prior written approval of INNOVA.</small>			
WEIGHT:	TITLE:		
47 Lb	Wall mount SRL/winch		
21 Kg	adapter (adjustable)		
COLOR:	MATERIAL:	SHEET(S):	PROJECT:
	Stainless 304	4 / 4	IN-2314

8

7

6

5

4

3

2

1