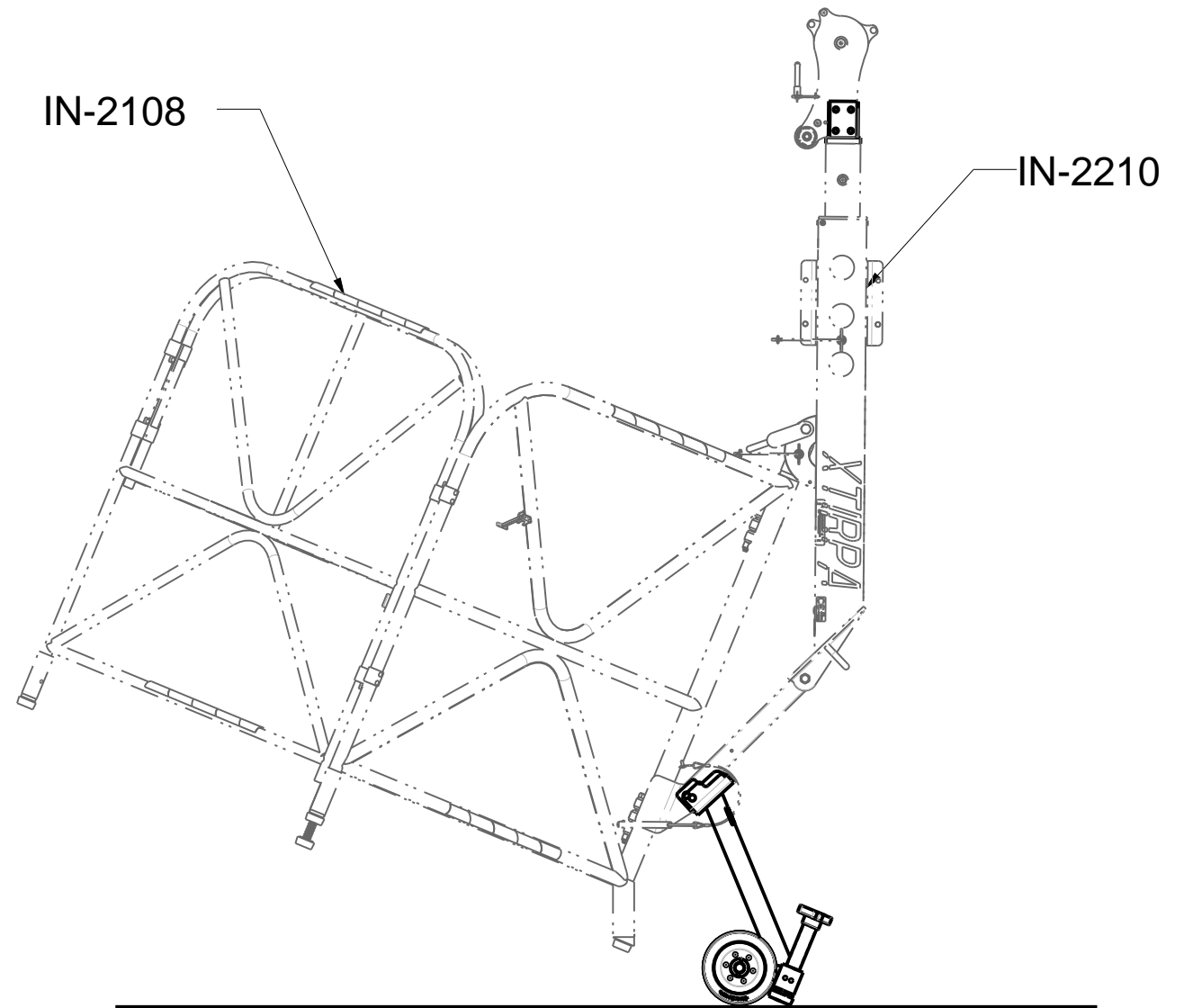
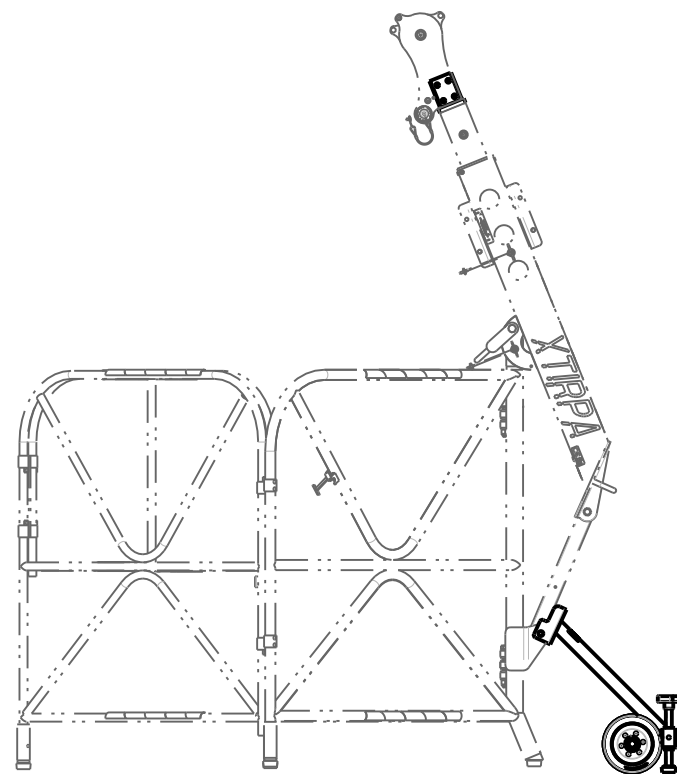
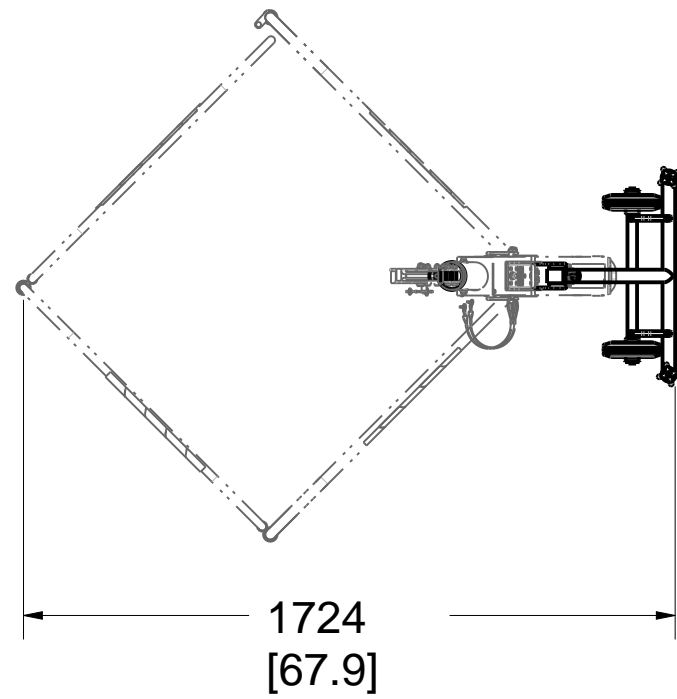


PAT. NO.:		©29/06/2012	©
<b>PRODUITS DE SERVICE PUBLICS INNOVA INC.</b> <b>INNOVA PUBLIC UTILITY PRODUCTS INC.</b>			
<small>© 9105-0732 QUEBEC INC. and under exclusive license to INNOVA PUBLIC UTILITY PRODUCTS INC., (hereafter « INNOVA »). All rights reserved. Protected under the Copyright Act of Canada and international treaties and agreements regarding copyrights. Violators are subject to prosecution and other legal recourses for infringement. Any reproduction, adaptation or other use or disclosure whatsoever, in totality or in part, and in any form or by any means whatsoever, strictly forbidden and requires the prior written approval of INNOVA. All data is the exclusive property of 9105-0732 QUEBEC INC. and under exclusive license to INNOVA and cannot be used nor disclosed in any way either without the prior written approval of INNOVA.</small>			
WEIGHT:	TITLE:		
13 Lb	Stabilizer for 1067mm (42")		
6 Kg	manhole guard w/wheels		
COLOR:	MATERIAL:	SHEET(S):	PROJECT:
Safety yellow and zinc	Aluminum and steel	1 / 3	A2108-20

Product number: A2108-20



PAT. NO.:		©29/06/2012	©
<b>PRODUITS DE SERVICE PUBLICS INNOVA INC.</b> <b>INNOVA PUBLIC UTILITY PRODUCTS INC.</b>			
<small>© 9105-0732 QUEBEC INC. and under exclusive license to INNOVA PUBLIC UTILITY PRODUCTS INC., (hereafter « INNOVA »). All rights reserved. Protected under the Copyright Act of Canada and international treaties and agreements regarding copyrights. Violators are subject to prosecution and other legal recourses for infringement. Any reproduction, adaptation or other use or disclosure whatsoever, in totality or in part, and in any form or by any means whatsoever, strictly forbidden and requires the prior written approval of INNOVA. All data is the exclusive property of 9105-0732 QUEBEC INC. and under exclusive license to INNOVA and cannot be used nor disclosed in any way either without the prior written approval of INNOVA.</small>			
WEIGHT:	TITLE:		
13 Lb	Stabilizer for 1067mm (42")		
6 Kg	manhole guard w/wheels		
COLOR:	MATERIAL:	SHEET(S):	PROJECT:
Safety yellow and zinc	Aluminum and steel	2 / 3	A2108-20

8

7

6

5

4

3

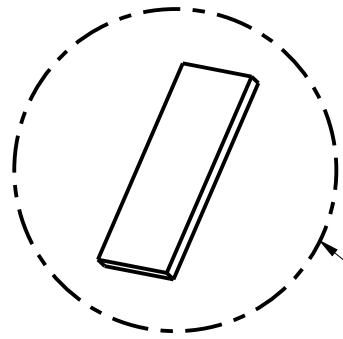
2

1

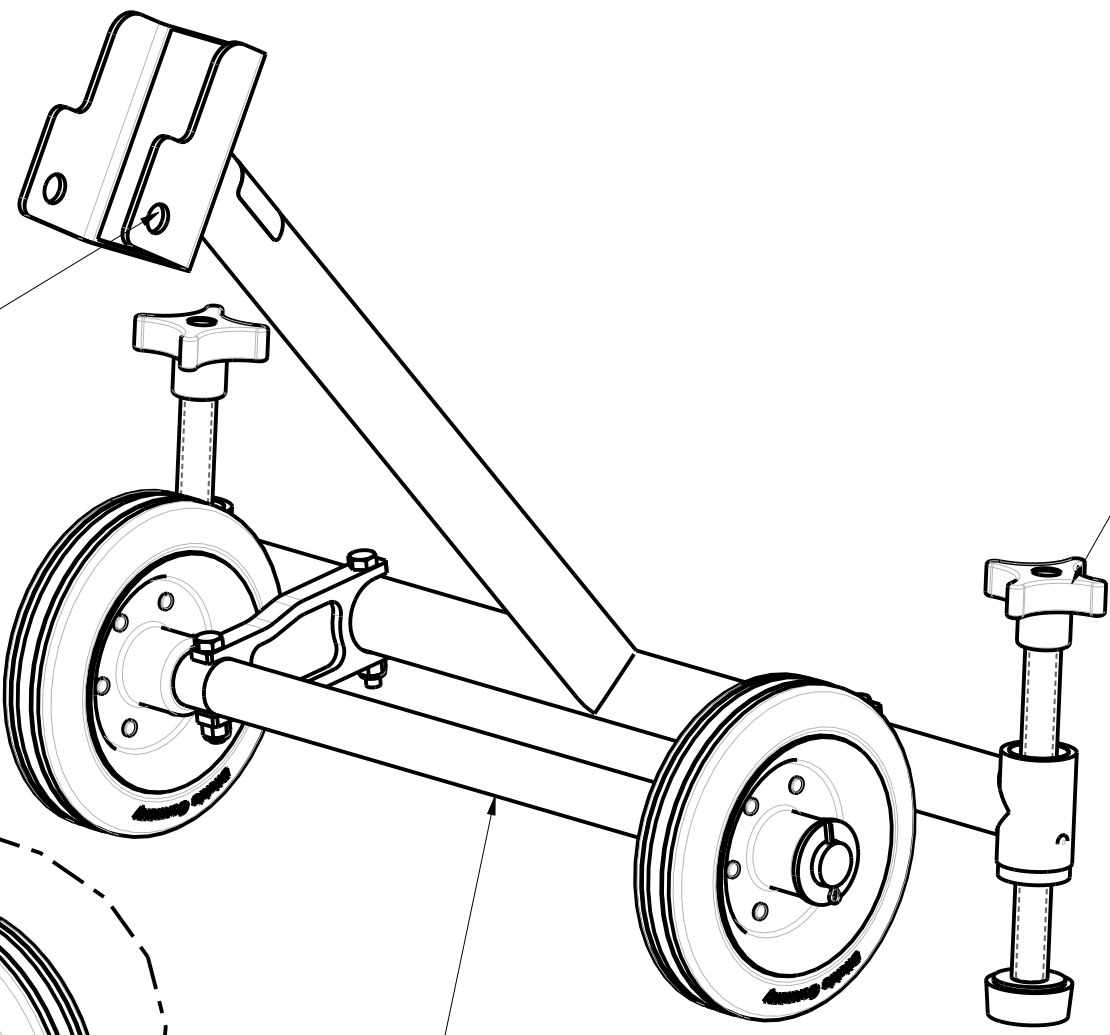
Product number: A2108-20

H  
G  
F  
E  
D  
C  
B  
A

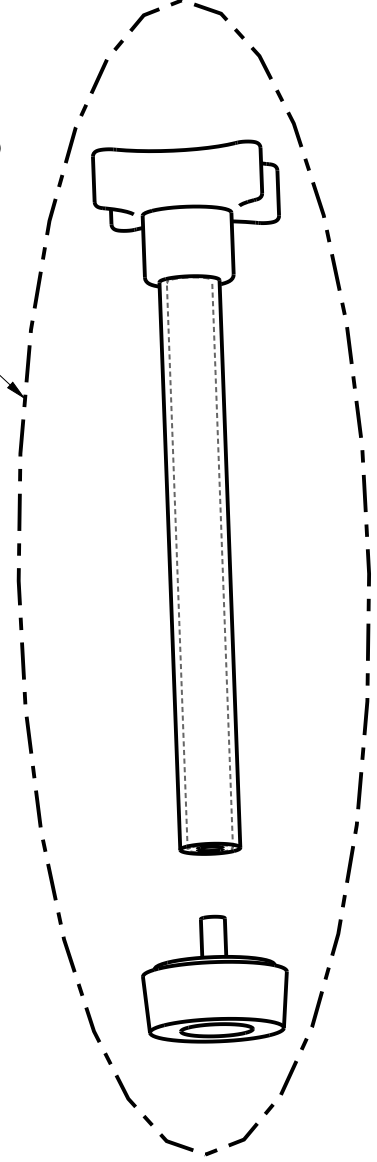
H  
G  
F  
E  
D  
C  
B  
A



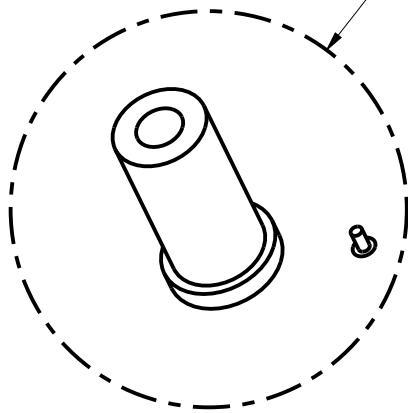
P2001-061  
1X



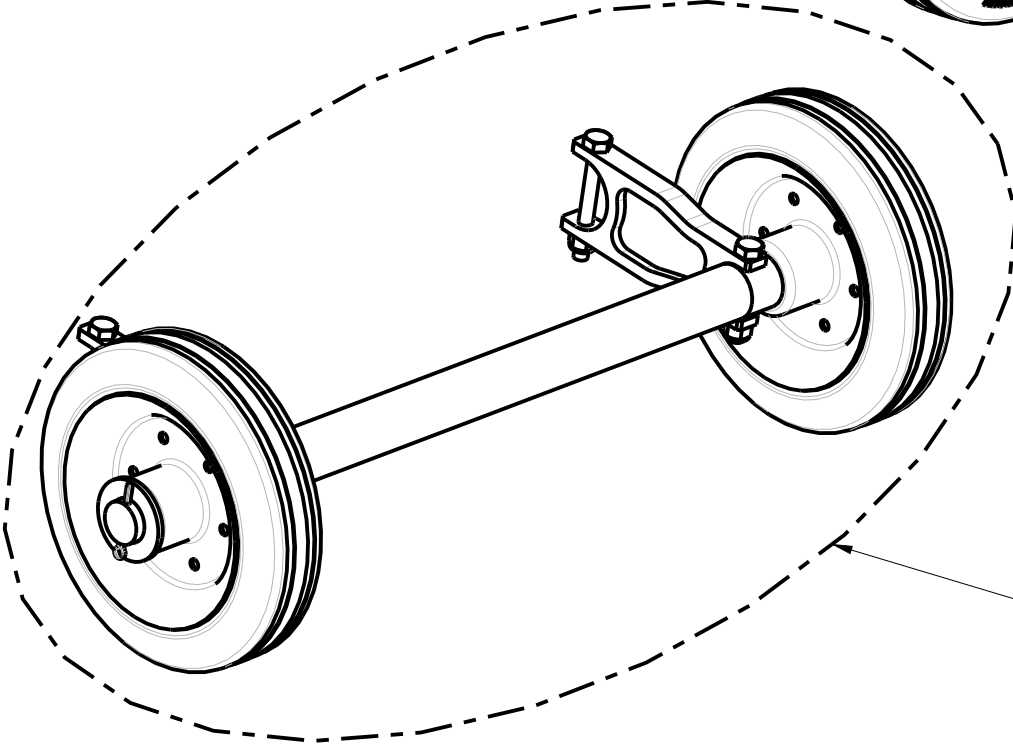
A2001-38  
2X



A2001-10  
2X



A2108-21  
1X



PAT. NO.:		©29/06/2012	©
PRODUITS DE SERVICE PUBLICS INNOVA INC. INNOVA PUBLIC UTILITY PRODUCTS INC.			
<small>© 9105-0732 QUEBEC INC. and under exclusive license to INNOVA PUBLIC UTILITY PRODUCTS INC., (hereafter « INNOVA »). All rights reserved. Protected under the Copyright Act of Canada and international treaties and agreements regarding copyrights. Violators are subject to prosecution and other legal recourses for infringement. Any reproduction, adaptation or other use or disclosure whatsoever, in totality or in part, and in any form or by any means whatsoever, strictly forbidden and requires the prior written approval of INNOVA. All data is the exclusive property of 9105-0732 QUEBEC INC. and under exclusive license to INNOVA and cannot be used nor disclosed in any way either without the prior written approval of INNOVA.</small>			
WEIGHT:	TITLE:		
13 Lb	Stabilizer for 1067mm (42")		
6 Kg	manhole guard w/wheels		
COLOR:	MATERIAL:	SHEET(S):	PROJECT:
Safety yellow and zinc	Aluminum and steel	3 / 3	A2108-20

8

7

6

5

4

3

2

1