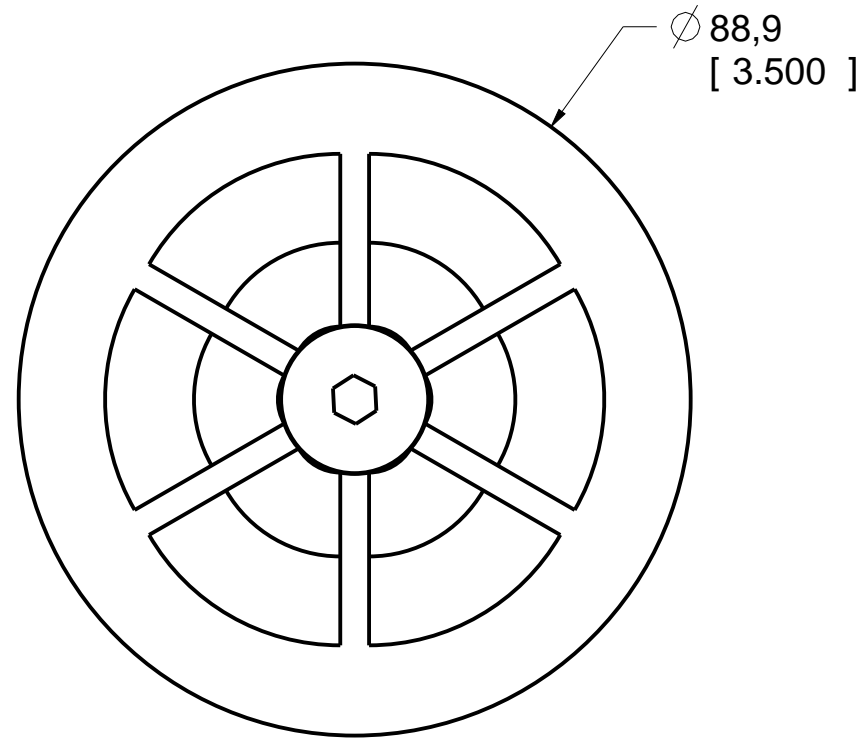
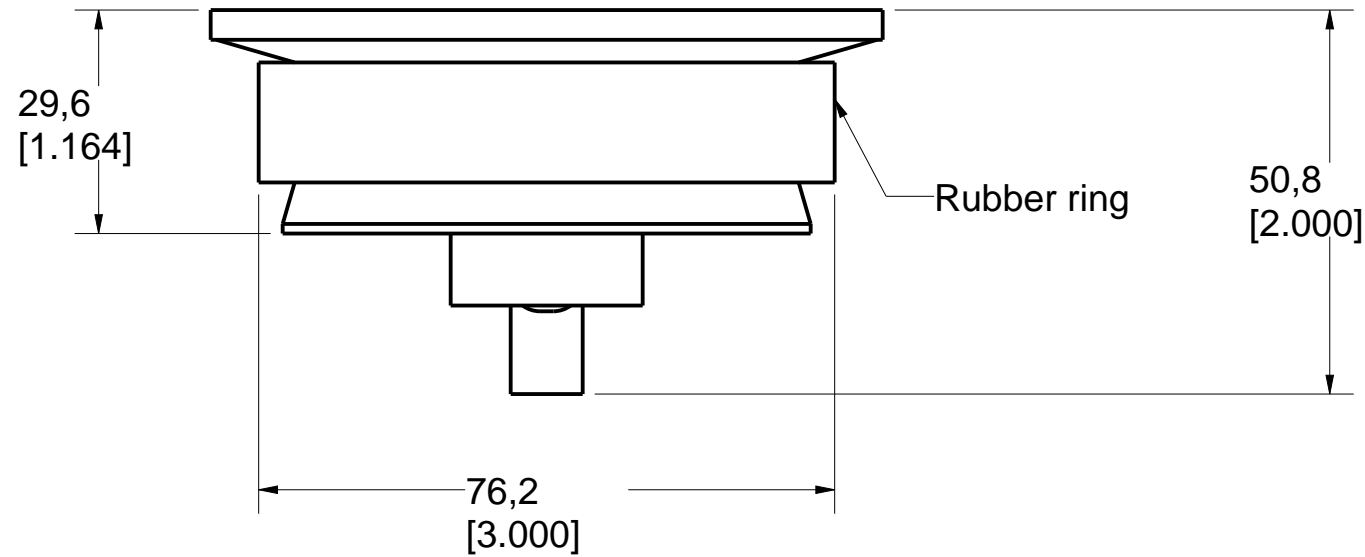
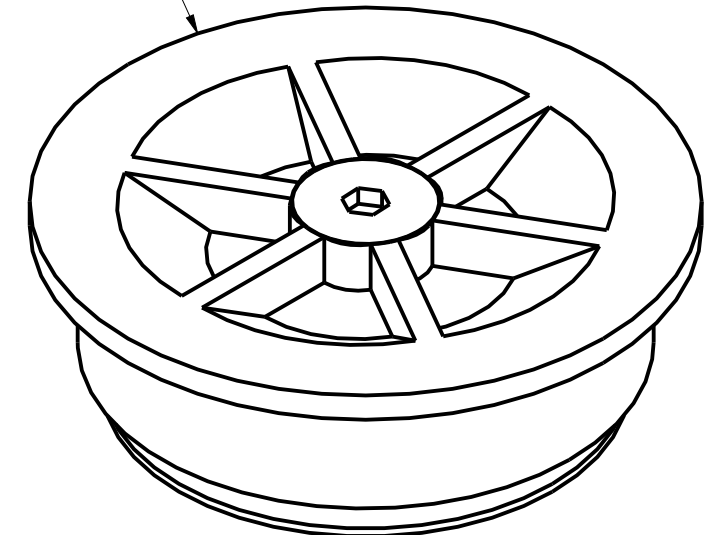
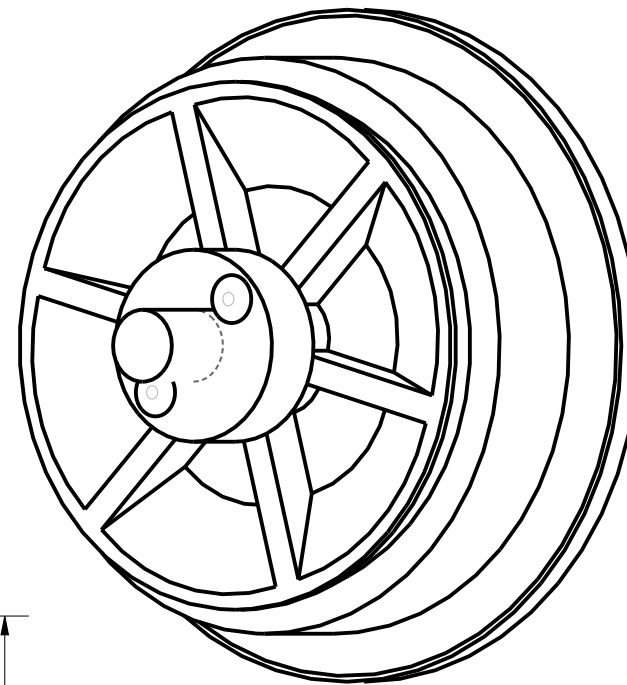


Product number: IN-2072



Yellow plastic body



PAT. NO.:		©2006/12/13	©
<b>PRODUITS DE SERVICE PUBLICS INNOVA INC. INNOVA PUBLIC UTILITY PRODUCTS INC.</b>			
<small>© 9105-0732 QUEBEC INC. and under exclusive license to INNOVA PUBLIC UTILITY PRODUCTS INC., (hereafter « INNOVA »). All rights reserved. Protected under the Copyright Act of Canada and international treaties and agreements regarding copyrights. Violators are subject to prosecution and other legal recourses for infringement. Any reproduction, adaptation or other use or disclosure whatsoever, in totality or in part, and in any form or by any means whatsoever, strictly forbidden and requires the prior written approval of INNOVA. All data is the exclusive property of 9105-0732 QUEBEC INC. and under exclusive license to INNOVA and cannot be used nor disclosed in any way either without the prior written approval of INNOVA».</small>			
WEIGHT:	TITLE:		
0.5 Lb	76mm (3") Adapter cap		
0.2 Kg			
COLOR:	MATERIAL:	SHEET(S):	PROJECT:
Black/Yellow	Rubber/Plastic	1 / 3	IN-2072

8

7

6

5

4

3

2

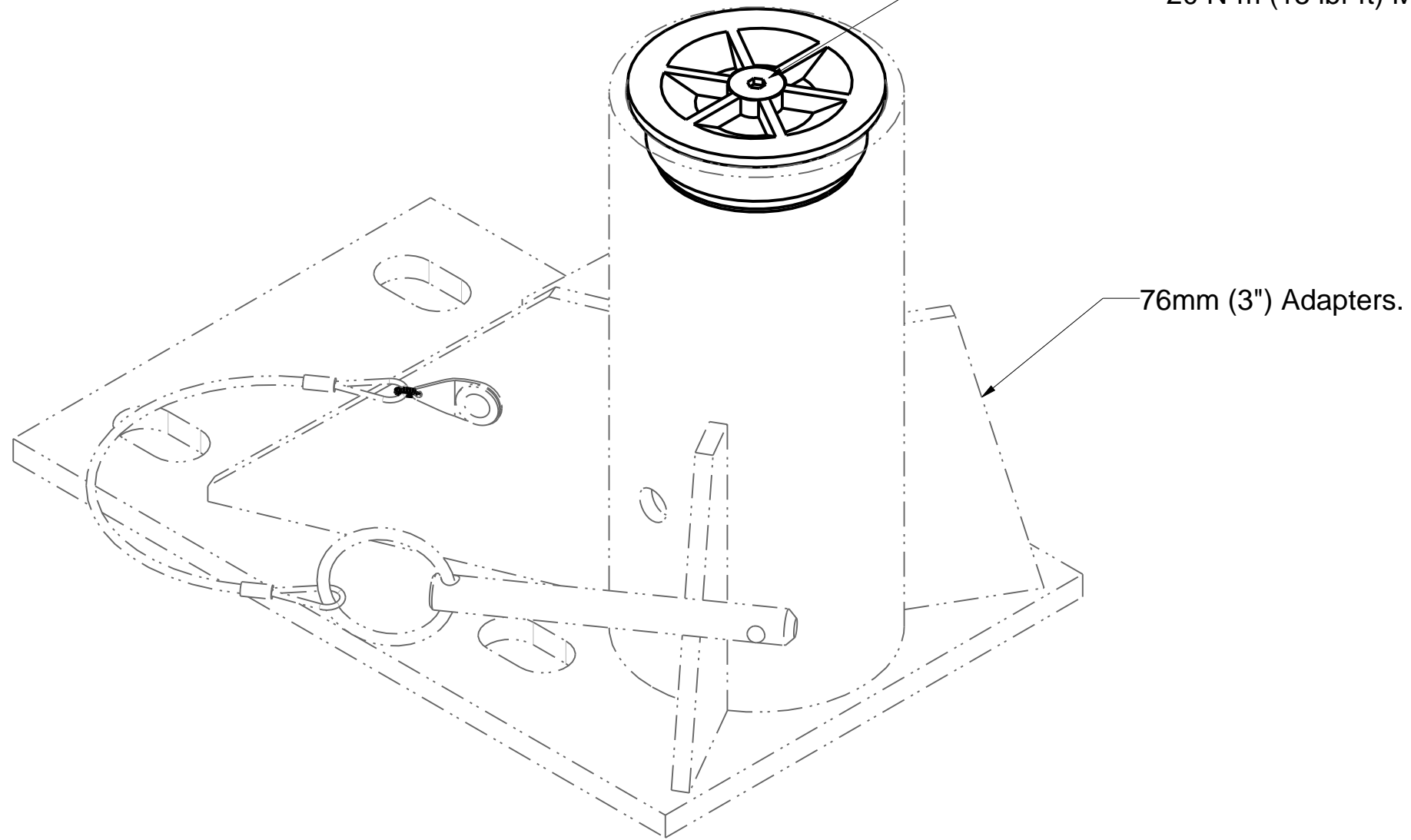
1

Product number: IN-2072

H  
G  
F  
E  
D  
C  
B  
A

H  
G  
F  
E  
D  
C  
B  
A

NOTE:  
Use an Allen Key 7/32"  
To tighten or loosen the cap.  
To ensure a tight seal torque at:  
20 N-m (15 lbf-ft) Minimum.



76mm (3") Adapters.

PAT. NO.:		©2006/12/13	©
<b>PRODUITS DE SERVICE PUBLICS INNOVA INC.</b> <b>INNOVA PUBLIC UTILITY PRODUCTS INC.</b>			
<small>© 9105-0732 QUEBEC INC. and under exclusive license to INNOVA PUBLIC UTILITY PRODUCTS INC., (hereafter « INNOVA »). All rights reserved. Protected under the Copyright Act of Canada and international treaties and agreements regarding copyrights. Violators are subject to prosecution and other legal recourses for infringement. Any reproduction, adaptation or other use or disclosure whatsoever, in totality or in part, and in any form or by any means whatsoever, strictly forbidden and requires the prior written approval of INNOVA. All data is the exclusive property of 9105-0732 QUEBEC INC. and under exclusive license to INNOVA and cannot be used nor disclosed in any way either without the prior written approval of INNOVA.</small>			
WEIGHT:	TITLE:		
0.5 Lb	76mm (3") Adapter cap		
0.2 Kg			
COLOR:	MATERIAL:	SHEET(S):	PROJECT:
Black/Yellow	Rubber/Plastic	2 / 3	IN-2072

8

7

6

5

4

3

2

1

8

7

6

5

4

3

2

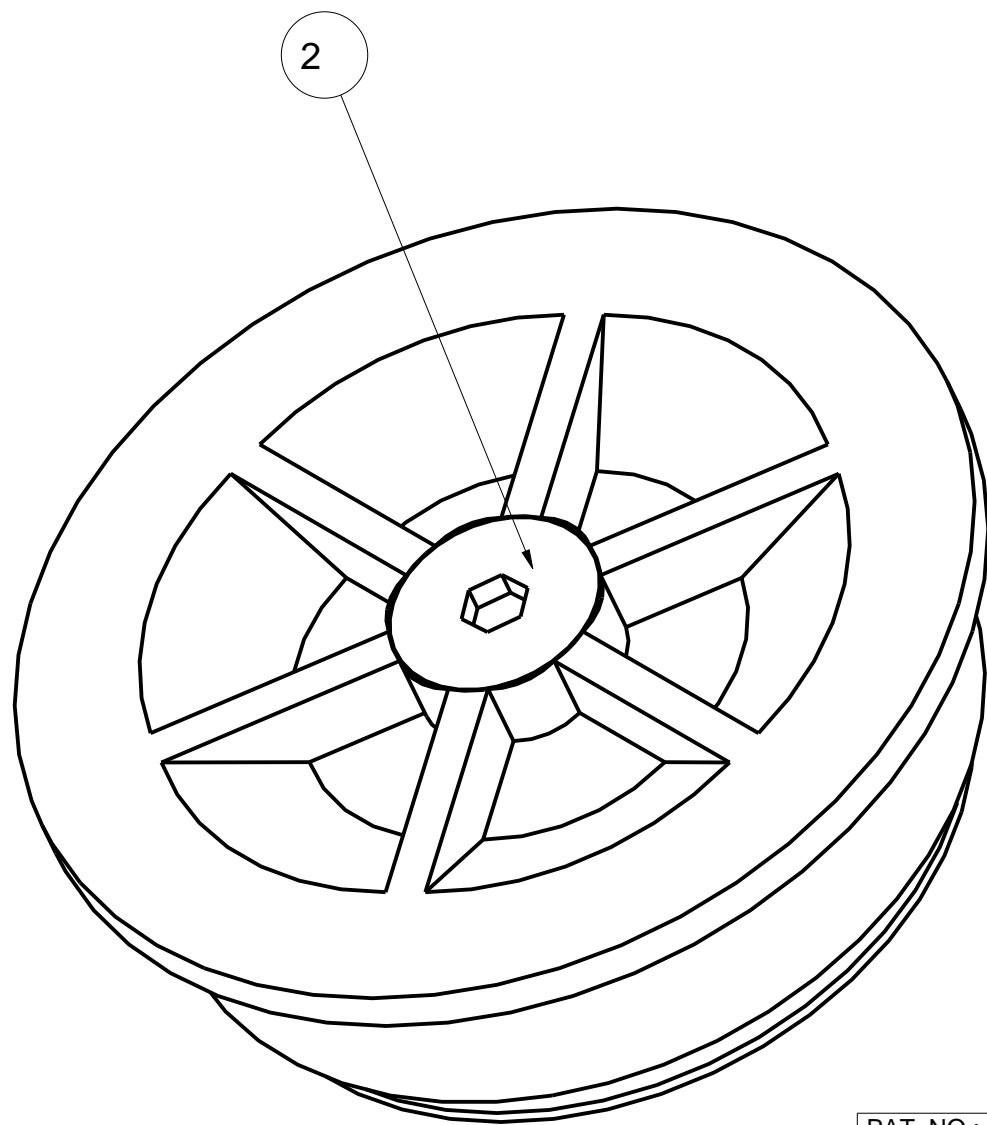
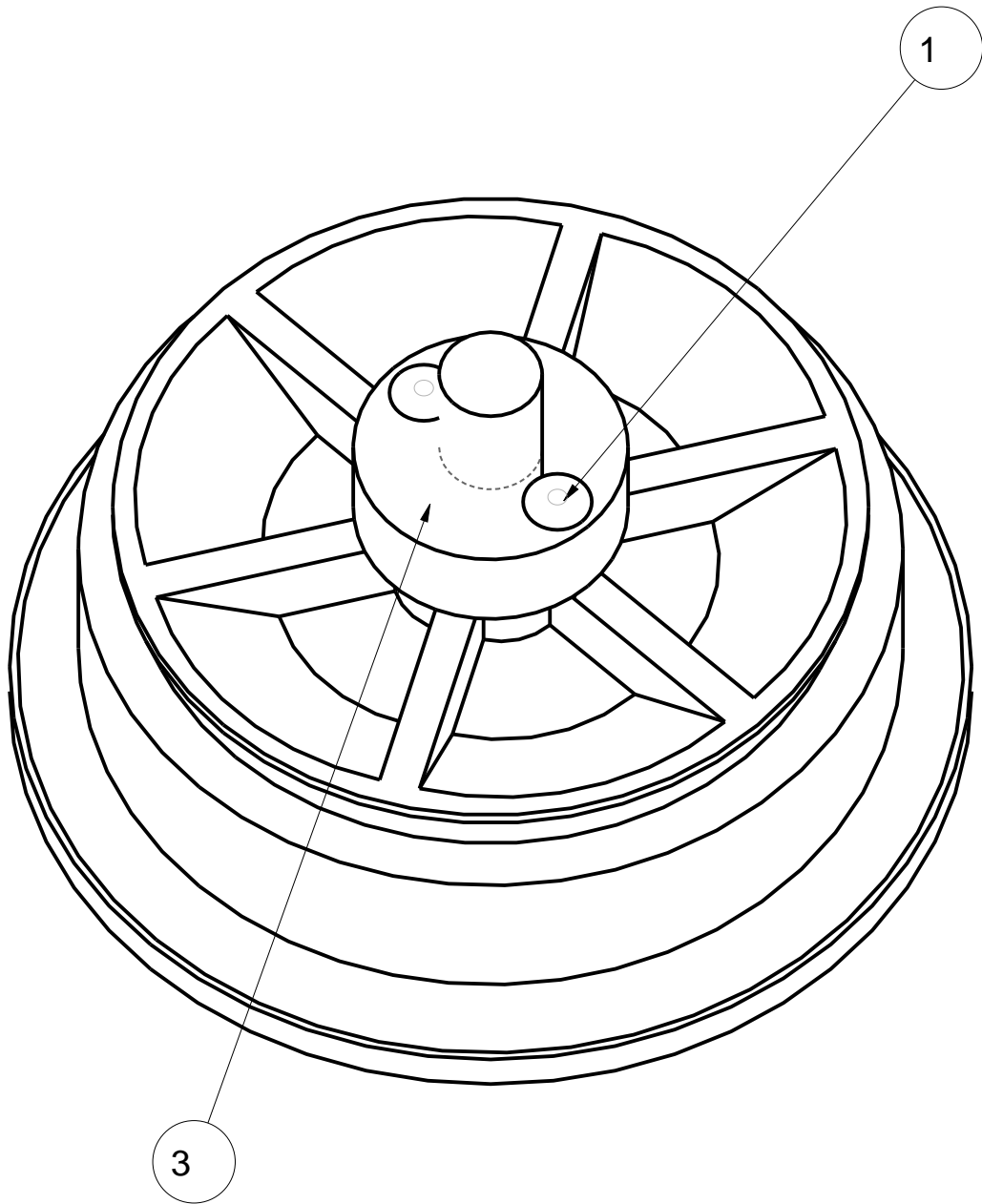
1

Product number: IN-2072

3	1	P2072-004		Bague de retenue	Bronze SAE 660
2	1	370-323		Vis à 6 pans 3/8-16 x 2" inox	
1	2	310-836		Rivet 1/8" x .500" grip	
IDX	QTE	COMPOSANTE	REV	DESCRIPTION	MATERIAU

H  
G  
F  
E  
D  
C  
B  
A

H  
G  
F  
E  
D  
C  
B  
A



PAT. NO.:		©2006/12/13	©
<b>PRODUITS DE SERVICE PUBLICS INNOVA INC.</b> <b>INNOVA PUBLIC UTILITY PRODUCTS INC.</b>			
© 9105-0732 QUEBEC INC. and under exclusive license to INNOVA PUBLIC UTILITY PRODUCTS INC., (hereafter « INNOVA »). All rights reserved. Protected under the Copyright Act of Canada and international treaties and agreements regarding copyrights. Violators are subject to prosecution and other legal recourses for infringement. Any reproduction, adaptation or other use or disclosure whatsoever, in totality or in part, and in any form or by any means whatsoever, strictly forbidden and requires the prior written approval of INNOVA. All data is the exclusive property of 9105-0732 QUEBEC INC. and under exclusive license to INNOVA and cannot be used nor disclosed in any way either without the prior written approval of INNOVA.			
WEIGHT:	TITLE:		
0.5 Lb	76mm (3") Adapter cap		
0.2 Kg			
COLOR:	MATERIAL:	SHEET(S):	PROJECT:
Black/Yellow	Rubber/Plastic	3 / 3	IN-2072

8

7

6

5

4

3

2

1