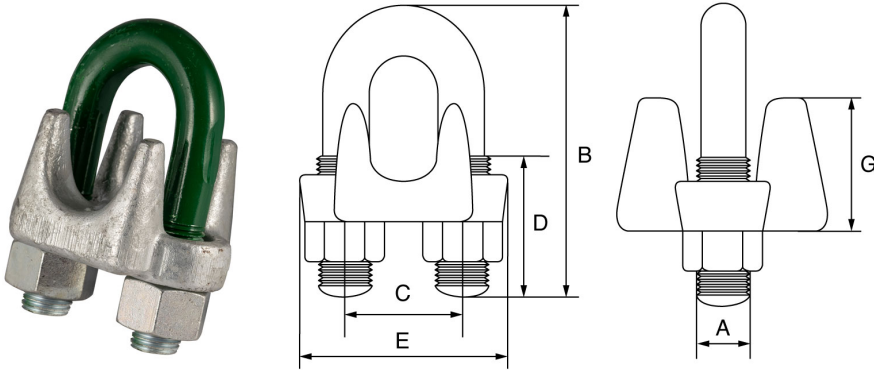


## Wire Rope Grip BS EN 13411 Part 5 Type B – WRGUS



- AISI 1015 steel or equivalent u-bolt, AISI 1035/1045 steel or equivalent grooved bridge.
- Hot dipped galvanised bridges. Electro galvanised u-bolts and nuts, u-bolts painted.
- Meets the performance requirements of BS EN 13411 Part 5 Type B (formerly US Fed. Spec. FF-C450D). 13mm is additional and proportional to the standard.\*
- Marked with size and manufacturers ID on the bridge.
- Certification available [2.1](#)

Product Code	Rope Dia	Size of Grip	A	B	C	D	E	F	G	Weight kgs/100
	mm	inch	mm	mm	mm	mm	mm	mm	mm	
WRGUS4	4	1/8	5	24	12	11	24	21	10	2
WRGUS5	5	3/16	6	31	15	13	29	24	13	4
WRGUS7	7	1/4	8	34	19	13	37	30	18	8
WRGUS8	8	5/16	10	45	22	19	43	33	19	14
WRGUS10	10	3/8	11	49	26	19	49	42	25	19
WRGUS11	11	7/16	12	60	30	25	58	46	26	31
WRGUS13	13	1/2	13	61	30	25	58	48	31	34
WRGUS15	15	9/16	14	72	33	32	63	52	31	36

Product Code	Rope Dia	Size of Grip	A	B	C	D	E	F	G	Weight
	mm	inch	mm	mm	mm	mm	mm	mm	mm	kgs/100
WRGUS16	16	5/8	14	74	33	32	64	54	36	45
WRGUS20	20	3/4	16	86	38	37	72	57	38	68
WRGUS22	22	7/8	19	98	45	41	80	62	40	108
WRGUS26	26	1	19	108	48	46	88	67	47	113
WRGUS30	30	1 1/8	19	117	51	51	91	73	48	140
WRGUS34	34	1 1/4	22	130	59	54	105	79	56	207
WRGUS36	36	1 3/8	22	140	60	59	108	79	58	234
WRGUS40	40	1 1/2	22	147	66	60	112	85	64	266
WRGUS42	42	1 5/8	25	161	70	67	121	92	67	329
WRGUS46	46	1 3/4	29	174	78	70	134	97	76	441
WRGUS52	52	2	32	195	86	78	150	113	85	603
WRGUS58	58	2 1/4	32	213	98	81	162	116	100	707
WRGUS65	65	2 1/2	32	227	105	87	168	119	113	806
WRGUS72	72	2 3/4	32	243	112	91	174	127	124	1,000