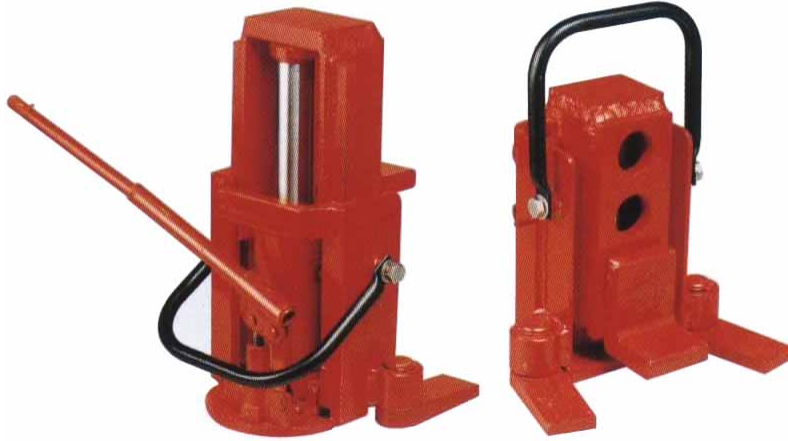


Instruction Manual

TOE JACK



Note: Owner/Operator must read and understand this instruction manual before operating the toe jack.

RevB: 09/2008

THANK YOU FOR CHOOSING OUR TOE JACK. FOR YOUR SAFETY AND CORRECT OPERATION, PLEASE CAREFULLY READ THE MANUAL BEFORE USE.

NOTE: All of the information reported herein is based on data available at the time of printing. The factory reserves the right to modify its own products at any time without notice or incurring in any sanction. Please verify with the factory for possible updates.

This toe jack is a kind of heavy-duty jack with an adjustable & super low profile lifting toe. Before operation, please read and fully understand this instruction manual.

1. Specifications

Capacity	(ton)	3	8
Min. Toe Height	(mm)	15	20
Lifting Height	(mm)	140	140
Net Weight	(kg)	21.5	28.5

2. Operation

- 2.1 Insert the notched end of the handle into the release valve and tighten the release valve by turning it clock-wise.
- 2.2 Insert operation handle into the socket and the piston. Refer to Figure 1. The piston rod is steadily by the up-and-down movement of the handle and a work is thus raised. It is so designed that the piston rod will stop rising when the required height is reached.

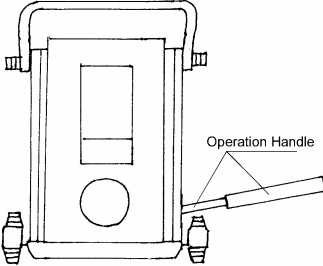


Figure 1

- 2.3 Lower the piston by turning the release valve counterclockwise

with the notched end of the handle. Slacken it slowly when a load is applied otherwise accident will occur.

3. Attention

- 3.1 This kind of jack is used for lifting, another method should be provided for the load after a work is raised, any operation under the work is forbidden before such method is applied.
- 3.2 Overloading is never allowed for the jack. An overloading protection device is provided with the jack. The jack will not raise a work if the load exceeds the rated weight.
- 3.3 The jack can be used on a firm and plain place, which can bear the load.
- 3.4 At an ambient temperature of -5°C to 45°C , machine oil of N15 (GB443-84) should be used, at an ambient temperature of -20°C to -5°C , compound bobbin oil should be used.
- 3.5 Operation person should be trained upon safety instruction.

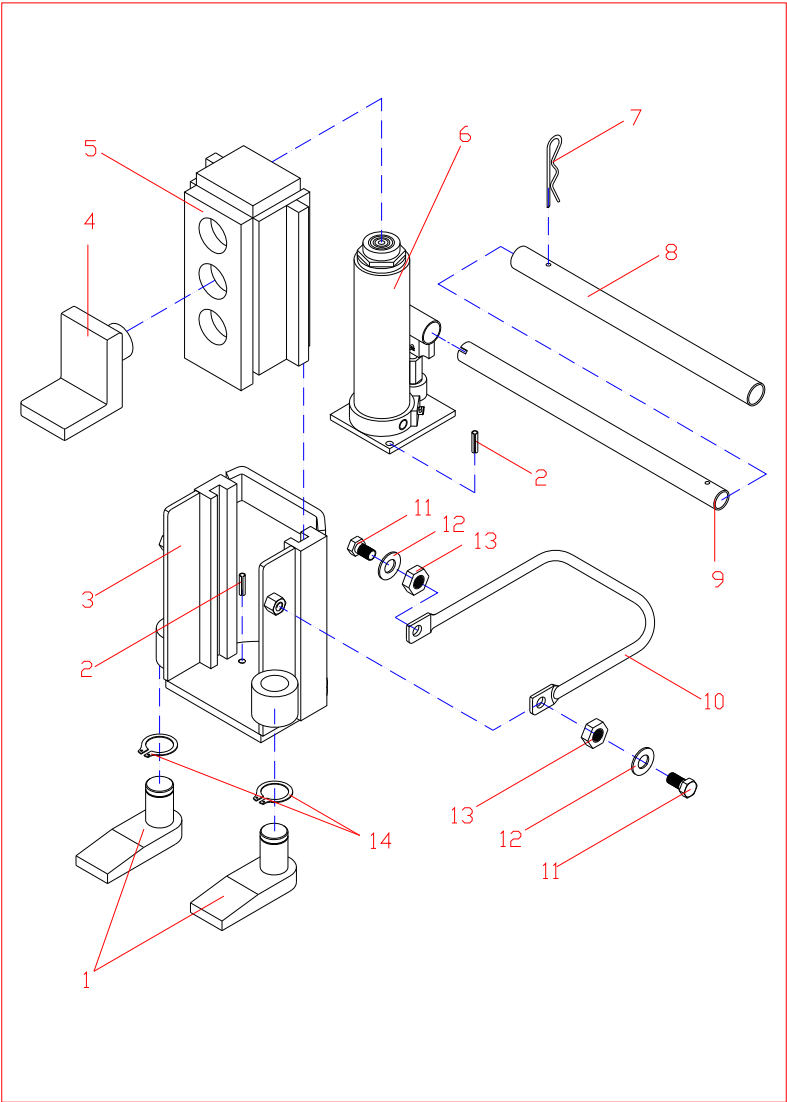
4. Maintenance and repair

- 4.1 Before refilling or changing the oil of the jack, take out hydraulic bottle jack from the supporting frame. Let the bottle jack horizontal, take off the oil plug and put the filtered oil with long-neck oiler and put on the oil plug.
- 4.2 If discharging air is required, just open the oil plug.

5. Parts List

No.	Description	Qty'	No.	Description	Qty'
1	Supporting foot	2	8	Pumping Handle	1
2	Pin	2	9	Pumping Handle	1
3	Base	2	10	Portable Handle	1
4	Moveable fork	1	11	Screw	2
5	Cover	1	12	Washer	2
6	Jack ass'y	1	13	Nut	2
7	Spring pin	1	14	Retaining ring	2

6. Exploded figure and part list



VERSION B