

Weld On Hook Model No. 8-081



Main Features

- Manufactured from forged alloy steel, quenched and tempered
- Tested and certified by DGUV GS-OA-15-03
- Load rated parts are 100 % magnaflux crack detected
- Individual forged parts are traceable to Test Certification
- All YOKE Lifting points meet or exceed all the requirements of ASME B30.26
- WLL forged onto each product for quick and easy identification
- Lugs designed to assist the welding process



Certification:

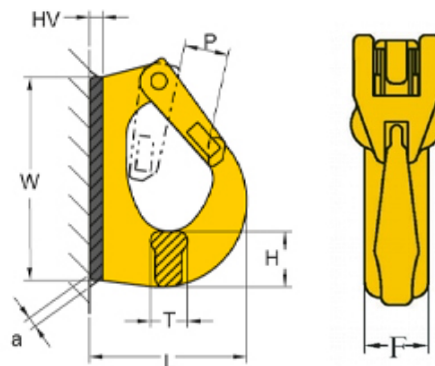
Each unit comes fully certified with a test certificate or an EC Declaration of Conformity stating compliance with the essential health and safety requirements of the Machinery Directive 2006/42/EC, the Supply of Machinery (Safety) Regulations 2008 and Section 6 of the Health and Safety at Work Etc Act 1974.

Manufactured and tested in accordance with EN1677-1. All YOKE Lifting points meet or exceed all the requirements of ASME B30.26.

Technical Data

| Product Code | Capacity (tonne) | Dimensions (mm) | | | | | | | | Net Weight (kg) |
|--------------|------------------|-----------------|----|-----|----|----|-----|----|---|-----------------|
| | | F | H | L | P | T | W | HV | a | |
| 8-081-01 | 1.0 | 25 | 27 | 72 | 18 | 18 | 95 | 7 | 4 | 0.6 |
| 8-081-02 | 2.0 | 30 | 30 | 85 | 25 | 20 | 115 | 8 | 5 | 1.0 |
| 8-081-03 | 3.0 | 35 | 30 | 105 | 28 | 23 | 133 | 9 | 6 | 1.4 |
| 8-081-04 | 4.0 | 42 | 38 | 111 | 28 | 30 | 142 | 10 | 7 | 2.2 |
| 8-081-05 | 5.0 | 44 | 47 | 132 | 30 | 31 | 167 | 12 | 7 | 3.0 |
| 8-081-08 | 8.0 | 50 | 52 | 134 | 32 | 39 | 176 | 12 | 8 | 3.7 |
| 8-081-10 | 10.0 | 56 | 56 | 168 | 44 | 42 | 222 | 13 | 8 | 6.2 |

Other sizes available - please ask for details.



Due to our policy of continual product development, dimensions, weights and specifications may change without prior notice. Please check with your Tiger sales team when ordering.