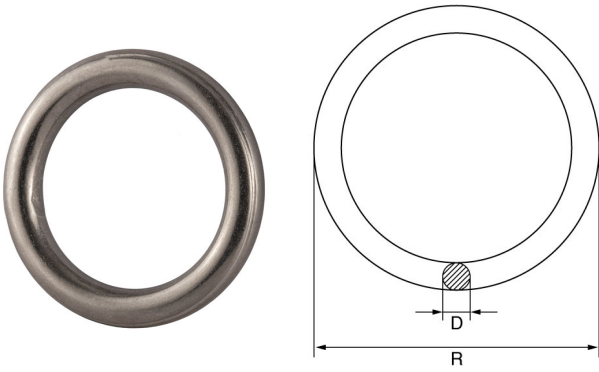


## Stainless Steel Round Ring – SSRR



**GT**

- AISI 316 stainless steel.
- Polished finish.
- Commercial quality, untested.
- Certification available **2.1**

Product Code	D mm	R mm	Weight kgs/100
SSRR3x35	3	35	7
SSRR4x40	4	40	15.5
SSRR5x50	5	50	27
SSRR6x60	6	60	47
SSRR8x80	8	80	108
SSRR10x80	10	80	178
SSRR12x80	12	80	262
SSRR12x100	12	100	319

