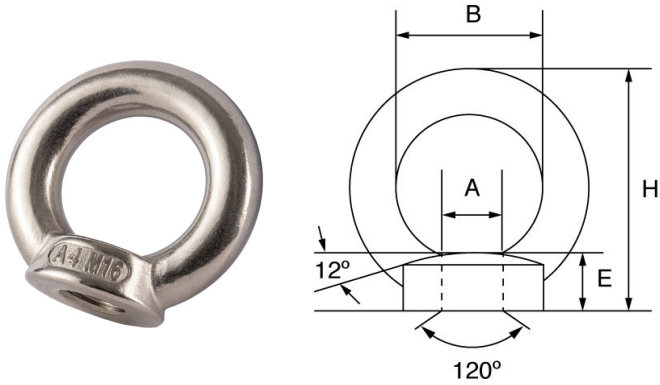


Stainless Steel Commercial Eyunut – SSENDIN



GT

- AISI 316 stainless steel.
- Polished finish.
- Sizes generally to DIN 582.
- Commercial quality, untested.
- Certification available **2.1**

Product Code	A	B	E	H	Weight
	mm	mm	mm	mm	kgs
SSENDIN6	6	20	8.5	34	0.03
SSENDIN8	8	20	8.5	36	0.06
SSENDIN10	10	25	10	45	0.09
SSENDIN12	12	30	11	53	0.16
SSENDIN16	16	35	13	62	0.24