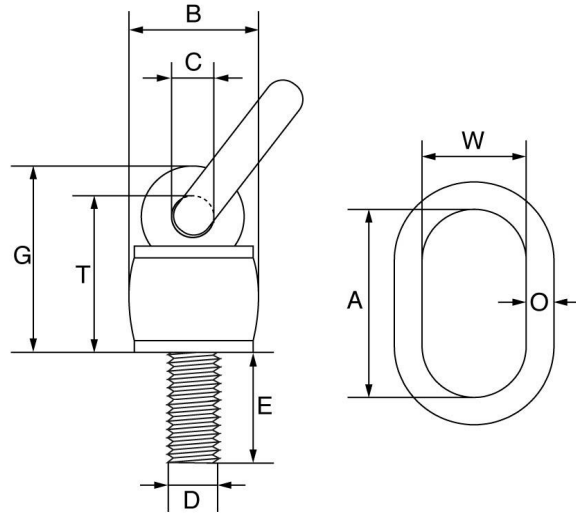


Product Specification - SLR303

Table 1.



Part No.	Weight	W.L.L 0°	DxE	A	B	C	G	O	T	W	Torque
	kgs	t	mm	mm	mm	mm	mm	mm	mm	mm	Nm
SLR303-M8	0.45	0.6	M8 x 13	55	36	16.5	51	14	41	30	10-15
SLR303-M10	0.45	1	M10 x 18	55	36	16.5	51	14	41	30	10-15
SLR303-M10X90	0.5	1	M10 x 90	55	36	16.5	51	14	41	30	10-15
SLR303-M12	0.46	1	M12 x 18	55	36	16.5	51	14	41	30	10-15
SLR303-M12X110	0.54	1	M12 x 110	55	36	16.5	51	14	41	30	10-15
SLR303-M16	0.47	2.24	M16 x 20	55	36	16.5	52	14	42	30	20-30
SLR303-M16X120	0.63	2.24	M16 x 120	55	36	16.5	52	14	42	30	20-30
SLR303-M20	0.99	4	M20 x 30	70	49.5	19	68	16	56	35	50-70
SLR303-M20X120	1.12	4	M20 x 120	70	49.5	19	68	16	56	35	50-70
SLR303-M24	1.36	6.3	M24 x 40	85	57	22	78	18	65.5	40	130-160
SLR303-M24X120	1.65	6.3	M24 x 120	85	57	22	78	18	65.5	40	130-160
SLR303-M30X45	2.36	10.6	M30 x 45	85	66	23.5	96.5	22	80.5	40	200-250
SLR303-M30X120	2.77	10.6	M30 x 120	85	66	23.5	96.5	22	80.5	40	200-250
SLR303-M36X50	3.88	12.8	M36 x 50	115	80	27	109	22	89.5	50	280-400
SLR303-M36X140	4.6	12.8	M36 x 140	115	80	27	109	22	89.5	50	280-400
SLR303-M42X60	4.56	16	M42 x 60	115	80	27	109	25	89.5	50	500-600
SLR303-M42X160	5.65	16	M42 x 160	115	80	27	109	25	89.5	50	500-600
SLR303-M45X60	4.7	16	M45 x 60	115	80	27	109	25	89.5	50	500-600
SLR303-M48X72	4.9	16	M48 x 72	115	80	27	109	25	89.5	50	500-650
SLR303-M48X160	6.18	16	M48 x 160	115	80	27	109	25	89.5	50	500-650
SLR303-M56X84	11.8	24	M56 x 84	152	117	42	246	32	214	70	600-900
SLR303-M64X95	12.5	24	M64 x 95	152	117	42	257	32	225	70	600-900

Angle Working Load Limit Chart

Table 2.

Leg	1	1	2	2	2		3 or 4		3 or 4
Angle	0°	90°	0°	90°	0-45°	45-60°	0-45°	45-60°	Asymmetry
Factor	2	1	4	2	1.4	1	2.1	1.5	1
M8	0.6	0.3	1.2	0.6	0.42	0.3	0.63	0.45	0.3
M10	1	0.5	2	1	0.7	0.5	1.05	0.75	0.5
M12	1	0.5	2	1	0.7	0.5	1.05	0.75	0.5
M16	2.24	1.12	4.48	2.24	1.57	1.12	2.35	1.68	1.12
M20	4	2	8	4	2.8	2	4.2	3	2
M24	6.3	3.15	12.6	6.3	4.41	3.15	6.62	4.73	3.15
M30	10.6	5.3	21.2	10.6	7.42	5.3	11.13	7.95	5.3
Factor	1.6	1	3.2	2	1.4	1	2.1	1.5	1
M36	12.8	8	25.6	12.8	11.2	8	16.8	12	8
M42	16	10	32	16	14	10	21	15	10
M45	16	10	32	16	14	10	21	15	10
M48	16	10	32	16	14	10	21	15	10
M56	24	15	48	24	21	15	31.5	22.5	15
M64	24	15	48	24	21	15	31.5	22.5	15