

GEBUWIN - PULLEYMAN - PORTABLE WINCH

CAPACITY RANGE LIFTING: 300-600KG

CAPACITY RANGE PULLING: 1500-3000KG



The Pulley Man is a portable winch that can hoist up to 600 kg (1322 lbs). The Pulley Man has no cable drum but the cable is led through the winch. Due to this, there is no limitation on the length of the wire rope. The Pulley Man can be used by simply attaching the swivel hook to any construction available. There is no electricity needed, one can just simply use a cordless drill to lift and or pull loads up to 3000 kg (6600 lbs).

- » Light weight and portable
- » Suitable to lift loads up to 600 kg (PM600)
- » Suitable to pull loads up to 3000 kg
- » No electricity needed
- » Easy to set up with suspension hook
- » Can be used with a cordless drill and power drill
- » Possible to rotate the load 360°
- » Can be used in 3 positions
- » Standard rope length 12 meters (possible up to 50 meters)
- » Patented self-braking reduction brake
- » In compliance with EN14492-2, EN ISO 12100
- » Paint thickness is 100 micron in 1 layer and in compliance with DIN/ISO 12944
- » Paint classification C1M - RAL7035 (grey)

Suitable for any light work such as:

- » Maintenance
- » Lifting work at a construction site
- » Repairs
- » Installations
- » Jobs around the house

Options:

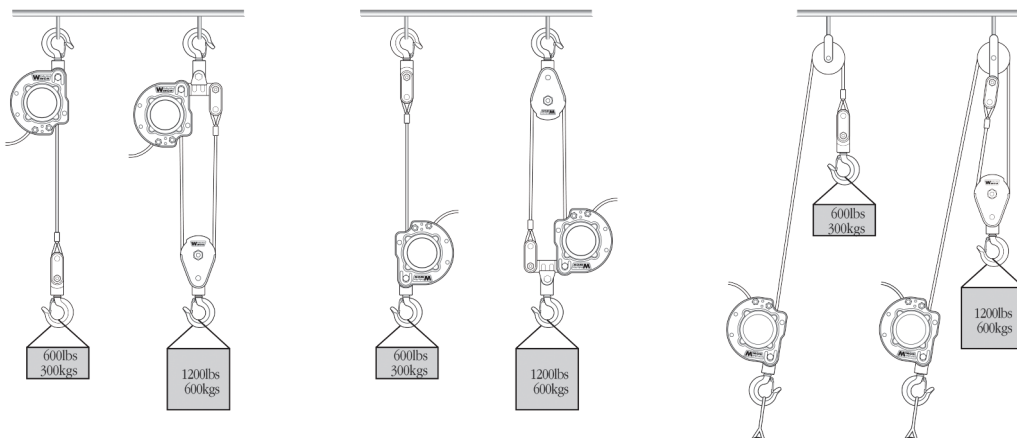
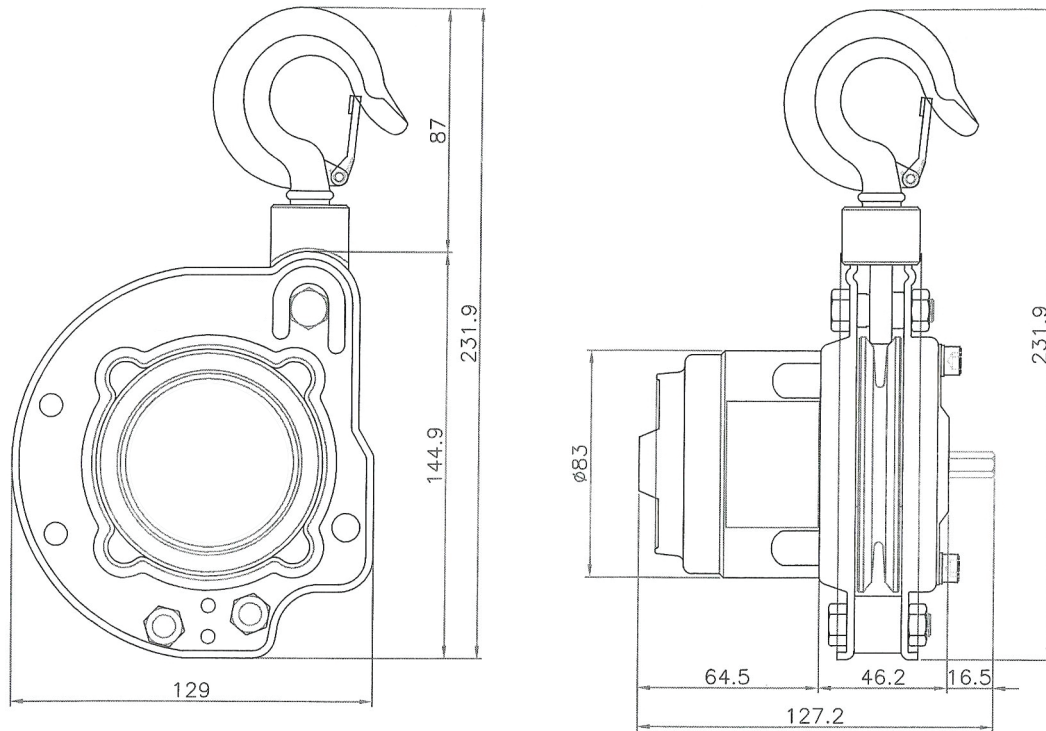
Available in complete kit including:

- » Robust case with foam L: 457 W: 367 H: 183 - Brand: Explorer case
- » Cordless drill 18V - 70 Nm - Brand: Hikoki
- » 2 Li-ion batteries 18V - 2,5 Ah - Brand: Hikoki
- » 1 charger - Brand: Hikoki
- » 2 shackles type G-210 - Brand: Crosby
- » 1 sling, length 1 m



GEBUWIN - PULLEYMAN - PORTABLE WINCH

CAPACITY RANGE LIFTING: 300-600KG
CAPACITY RANGE PULLING: 1500-3000KG



Product Code		161-1-1	169-1-2
Model		PM300	PM600
Lifting capacity	kg (lbs)	300 (660)	600 (1322)
Pulling capacity (load on wheels, 6° Sope)	kg (lbs)	1500 (3300)	3000 (6600)
Pulling capacity (load on wheels, 35° Sope)	kg (lbs)	450 (990)	900 (2000)
Number of Falls	n°	1	2
Line Speed (no load)	m/min	6	3
Line Speed (full load)	m/min	3,75	8
Wire rope diameter	mm	4,76	4,76
Standard rope length with hook	m	12	12
Weight excl. rope	kg (lbs)	3,8 (8,4)	4,1 (9)
Weight incl. rope	kg (lbs)	5,7 (12,5)	6 (13,2)
Weigth complete kit	kg (lbs)	9,5 (20,9)	10 (22)
Product Code "Kit"		169-1-3	169-1-4