

Swivel davit crane

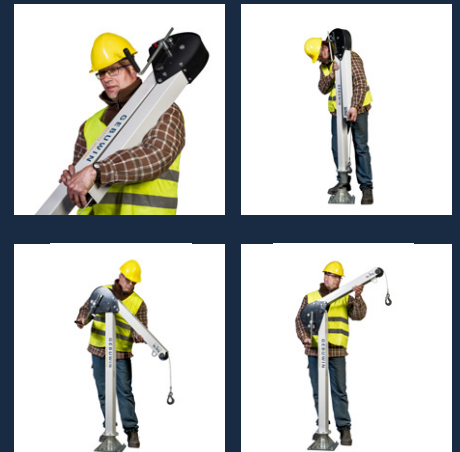
125 – 500 kg

Description of the winch

The Swivel Davit is a very user-friendly standing crane. Lightweight and portable. Within 3 seconds this davit is ready for use. The integrated winch and cable provide an ergonomic and modern look.

Product specifications

- > robust and safe lifting davit crane in compliance with EN13157
- > ready to use in 5 seconds
- > integrated winch and cable in an ergonomic modern design
- > easy to transport
- > load pressure brake with double ratchet system for safe stable hold of the load in any position
- > possible to rotate 360° due to the use of ball bearings
- > adjustable crank, with ergonomic grip
- > maintenance free
- > including 8 meter wire rope (d5 mm) with hook
- > paint thickness is 60 - 80 micron in 1 layer and in compliance with DIN/ISO 12944, C1M - RAL 7035 (grey)
- > corrosion resistant

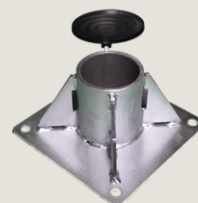


Options (code)

- zinc-plated finish 6 - 8 micron (EV)
- completely made out of stainless steel 316 ([p. 51](#))
- ATEX certified zone 2 and 22 (EX)
 - CE II 3G Ex IIC T4 Gc, -20°C<T amb <+70°C
 - CE II 3D Ex IIIC T135°C Dc, -20°C<T amb <+70°C
- custom options possible - [on request](#)

Accessories

- floor, wall and in-concrete sockets
- carry bag and protection cover



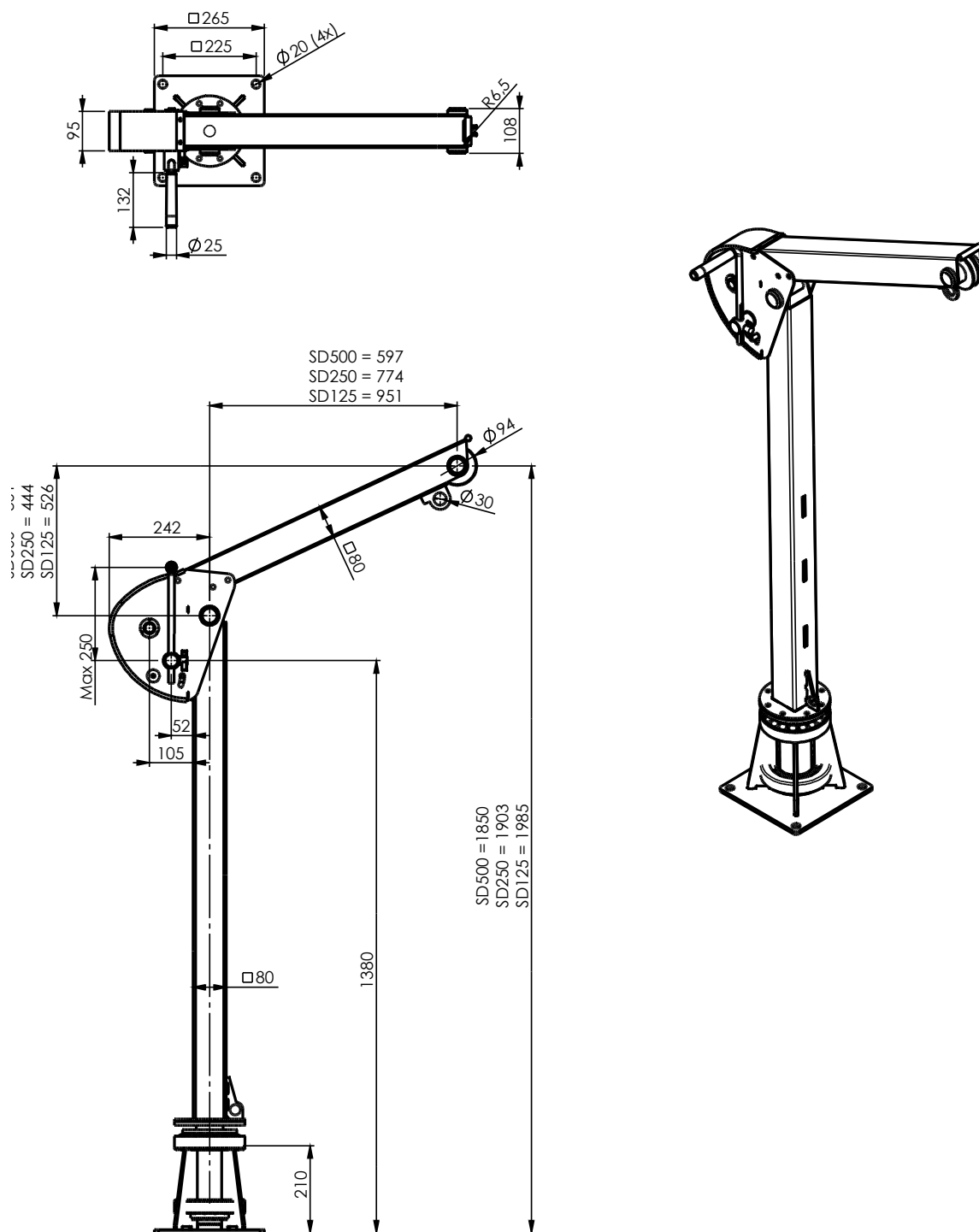
CE   [Product & instruction video on YouTube](#)

GEBUWIN
quality winches

Industrieweg 6, 7102 DZ Winterswijk, The Netherlands
Telephone: +31(0)543 532600 Email: info@gebuwin.com

For more information, visit: www.gebuwin.com

Technical specifications SD125-500



Technical specifications	Unit	SD125	SD250	SD500
Capacity 1st layer	kg	125	250	500
Capacity top layer	kg	125	250	268
Rope diameter-Ø	mm	4	4	5
Rope storage top layer	m	18	18	13
Lift per crank rotation	mm	20	20	20
Crank effort at full load	daN	10	10	10
Weight Swivel Davit	kg	30	30	30
Weight floor-socket	kg	8,9	8,9	8,9
Article number	no.	77001890	77001870	77001850