

# Electric e-Winch

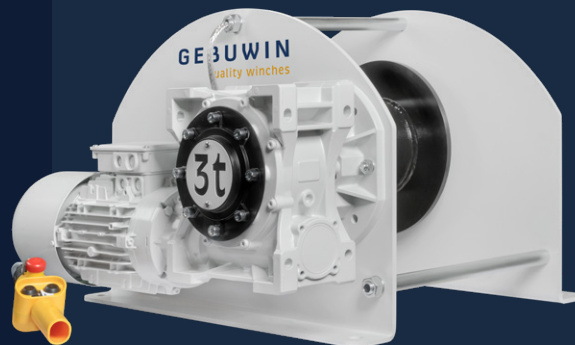
## 250 – 3000 kg

### Description of the winch

Newly developed electric pulling and lifting electric winch with a powerful three-phase motor, budget-friendly and strong in its work.

### Product specifications

- > robust and safe electric lifting and pulling winch
- > maintenance free bearings
- > protection classification IP54, insulation class F
- > standard overload protection as from 1000 kg
- > powerful three-phase motor for multirange voltage 380 – 415V / 50 Hz or 60 Hz
- > 1 speed pendant control with 1m cable
- > standard 2 meter power cable including 16A CEEplug
- > paint thickness is 60-80 micron in 1 layer and in compliance with DIN/ISO 12944, C1M - RAL7035/9005



### Options (code)

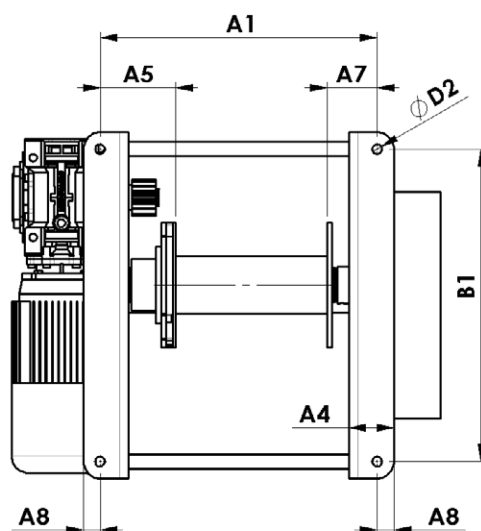
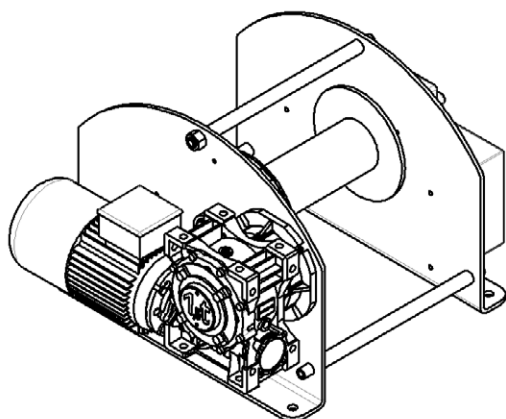
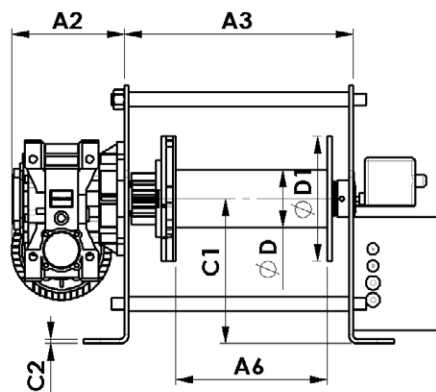
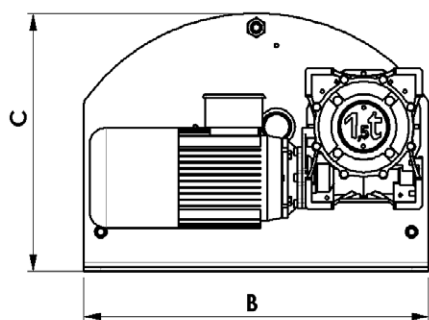
- limit switch - required for lifting applications (LS)
- 2 speed available as from e-W1000 (2S)
- frequency control available as from e-W1000 (FC)
- soft start/stop available as from e-W1000 (SS)
- pressure roller (PR)
- grooved drum (GD)
- 2 drum compartment (2D) or multiple up to 8 (XD)
- radio control (RC)
- external limit switch (EL)
- protection classification IP55 (IP55)
- increase of cable storage - [on request](#)
- custom options possible - [on request](#)

### Accessories

- steel or stainless steel wire rope ([p. 55](#))
- pulley block ([p. 57](#))

CE Ex  [Product & instruction video on YouTube](#)

## Technical specifications e-W250-3000



Dimensions (mm)	A1	A2	A3	A4	A5	A6	A7	A8	B	B1	C	C1	C2	D	D1
e-W250	269	151	222	47	59	146	64	17	550	440	355	190	6	55	150
e-W500	269	189	222	47	59	146	64	17	550	440	355	190	6	55	150
e-W1000	475	172	405	70	130	265	80	27	610	500	455	255	8	102	220
e-W1500	475	211	405	70	130	265	80	27	610	500	455	255	8	102	220
e-W2000	475	220	405	70	149	241	85	27	700	570	515	260	8	168	325
e-W3000	475	240	405	70	149	241	85	27	700	570	515	260	8	168	325

Technical specifications	Unit	e-W250	e-W500	e-W1000	e-W1500	e-W2000	e-W3000
Capacity 1st layer	kg	250	500	1000	1500	2000	3000
Capacity top layer (layers)	kg	109 (12)	247 (7)	570 (7)	927 (5)	1268 (6)	1957 (5)
Lifting speed	m/min	5,2	5,4	5,4	4,4	5,9	3,6
Rope diameter-Ø	mm	4	6	8	10	12	14
Rope storage 1st layer	m	5,7	3,8	9,7	7,7	9	7,4
Rope storage top layer	m	122	45	100	55	79	54
Motor output (400V)	kW	0,37	0,75	1,1	1,8	2	3
Current (400V)	A	1	2	2,7	4,6	6,4	8,5
FEM 9.511 classification	FEM	1Bm	1Bm	1Cm	1Cm	1Cm	1Cm
Min. breaking load rope	kN	9	18	36	36	70	114
Weight (without rope)	kg	52	60	107	122	180	192
*limit switch required for lifting							