

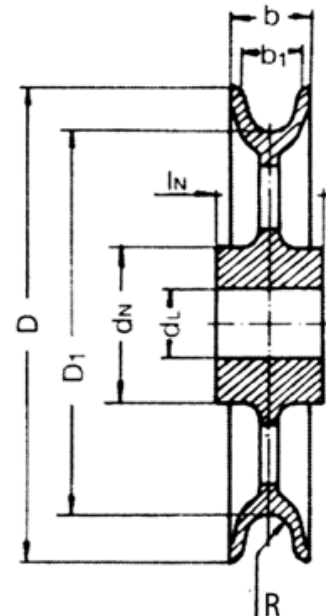
PULLEY TYPE 1A(PT1A) -WITH BRONZE BUSH - FOR WIRE OR FIBRE ROPE Quick Ref:157.1



- Cast Iron Pulleys with bronze bush for use on their own or to assemble into brackets.
- Ideal for most applications where wire rope needs to be diverted.
- For use with wire or fibre rope.
- For use with powered or manual driven winches.
- Four model types available from stock, 500kg, 1,000kg, 2,000kg and 3,000kg

Cast iron with bronze bush for assembly into brackets.

Product code		PT1A500KG Ref:157.1.1	PT1A1000KG Ref:157.1.2	PT1A2000KG Ref:157.1.3	PT1A3000KG Ref:157.1.4
Capacity	(kg)	500	1000	2000	3000
D	(mm)	110	150	200	250
D1 (Bore)	(mm)	82	116	164	200
dL (Bore)	(mm)	19	22	30	40
dN	(mm)	40	42	60	70
IN	(mm)	23	24	29	40
b	(mm)	21	22	27	37
b1	(mm)	14	16	18	26
R	(mm)	5.5	6.5	7	10
Max rope diameter (powered)	(mm)	10	12	13	18
Max rope diameter (Non powered)	(mm)	8-10	10-12	11-13	13-18
Weight	(kg)	0.6	0.9	1.7	3.7



Pulleys are manufactured by our own brand



Designed to be affordable,
with quality never being
compromised.

