



RP032 Medium Single Pulley

Data Sheet

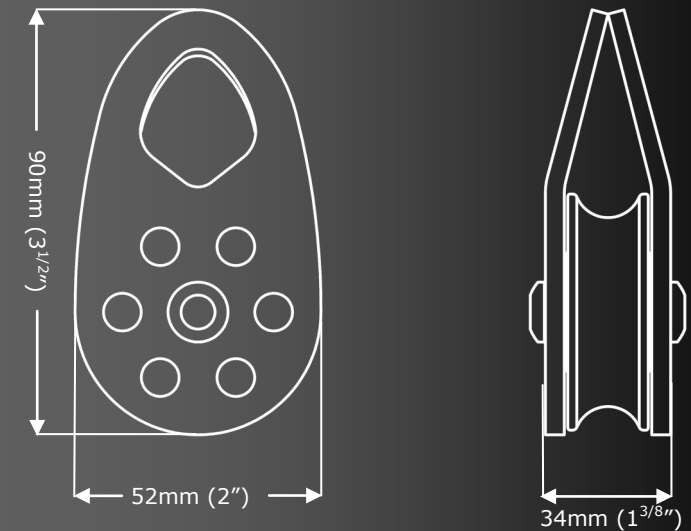


climb. work. rescue.

I/S/C

SOLUTIONS IN METAL

ISC lightweight Eiger Pulleys are made from high strength Aluminium and fitted with tamper-proof rivets. ISC Eiger Pulleys are fitted with Bushings.



Weight	158g (6oz)
Body Material	Aluminium
Wheel Material	Aluminium
Finish	Anodised
Rope Size	Max 13mm (1/2")
MBS	36kN (8093lbf)