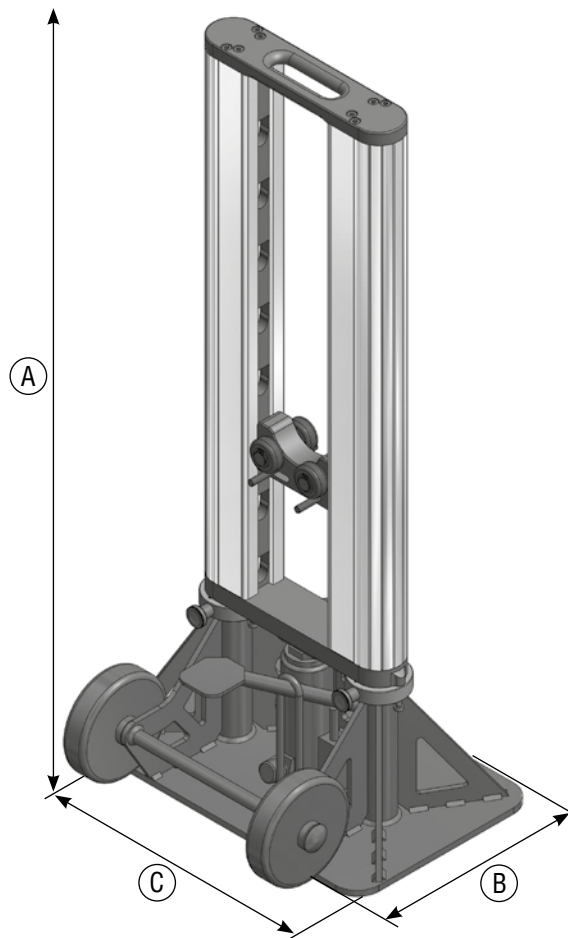


PRODUCT DATA

ORDER NO.: SFX/ACC-DRUM-JUMBOLIFT-1



TECHNICAL DATA

Max. load	6,000 kg
Max. drum Ø	2,200 mm
Min. drum Ø	700 mm
A) Height	1,122 mm
B) Depth	440 mm
C) Width	500 mm
Length of drum axle	1,850 mm
Max. drum width	1,300 mm
Weight per site	70 kg

ORDER NO.

JUMBOLIFT Set: SFX/ACC-DRUM-JUMBOLIFT-1

- two side parts
- one drum axle 1,850 mm
- one Set centering cones
Ø 95 mm
- one Set centering cones
Ø 140 mm

ACCESSORIES

Drum axle 1,500 mm SFX/ACC-DRUM-SPARE-AXLEL1500JUMB0-1