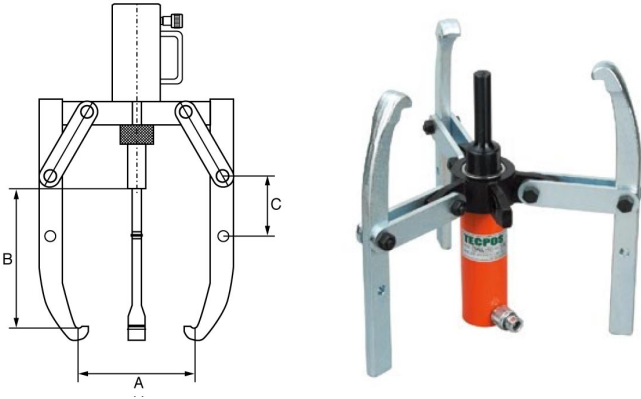


Hydraulic Puller – TPUL Series



TECPOS

- Capacity: 10-50 tonnes.
- Maximum Pressure: 700-2000 Bar.
- Hydraulic Coupler: TBC 381F (PT3/8).
- Certification available [2.1](#) [DoC](#)

Product Code	Cylinder Capacity	Stroke	A	B	C	Weight	Pump
	t	mm	mm	mm	mm	kgs	
TPUL10	10	150	180	240	75	13.5	1B
TPUL20	20	150	280	400	130	36.8	1B
TPUL30	30	150	280	420	130	46.7	1C
TPUL50	50	150	360	520	150	85.3	1C