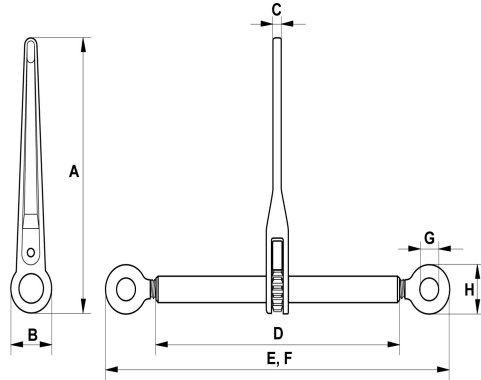


Green Pin Tycan® Grade 10 Ratchet Loadbinder – P-7180



- Grade 10, drop forged alloy steel.
- Blue painted finish.
- Conforms to BS EN 12195-3.
- Certification available **2.1** **2.2**

Product Code	Link Size	L.C.	P.F.	M.B.L.	A	B	C	D	E	F	G	H	Take up	Weight
	mm	t	t	t	mm	mm	mm	mm	mm	mm	mm	mm	mm	kgs
ULCRR25ZHENT	15 x 25	10	12.5	21.2	387	65	15	410	864	564	30	71	300	5.85