

Operating Instructions & Safety Manual



Toe Jack Manual

**Rated Capacities
3 to 8 tonnes**

Note: Operator must read and fully understand the operating instructions before using this product.

Safety Information

Thank you for choosing the GT Toe Jack.



For your safety and correct operation, please carefully read the manual before use.

All information contained within this manual is based on data available at time of creating. we reserve the right to modify the product at any time without notice or incurring any sanction. Please contact GT for any possible updates.

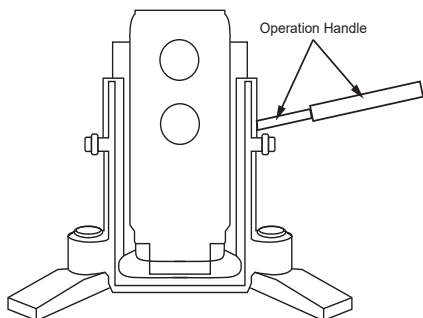
This Toe Jack is heavy duty with a super low profile lifting toe.

SPECIFICATIONS

Capacity t	Min. Toe Height mm	Lifting Height mm	Weight kgs
3	15	140	21.5
8	20	140	28.5

OPERATION

1. Insert the notched end of the handle into the release valve and tighten the release valve by turning it clockwise.
2. Insert operation handle into the piston socket.



3. Position the toe underneath load and use a steady up and down movement to raise the load to the required height.
4. To lower the piston, insert the notched end of the handle into the release valve and turn anticlockwise.

⚠ WARNING

- This type of jack is used for lifting only, another method should be provided for the load after it is raised. Any operation under the load is forbidden before such a method is applied.
- An overload protection device is provided with the jack. The jack will not raise a load that exceeds the rated capacity.
- The Jack must be positioned on a firm, plain level that can bear the load.
- At an ambient temperature of -5°C up to +45°C, machine oil of N15 (GB443-84) should be used. At an ambient temperature of -20°C up to -5°C, compound bobbin oil should be used.
- The operator should not use the jack unless he has been trained to do so.

MAINTENANCE & REPAIR

1. Before refilling or changing the oil in the jack, take out the hydraulic bottle jack from the supporting frame. Let the bottle jack into a horizontal position, take off the oil plug and put the filtered oil with a long neck oiler and insert the oil plug.
2. If discharging air is required, open the oil plug to release.

Spare Parts List & Drawing

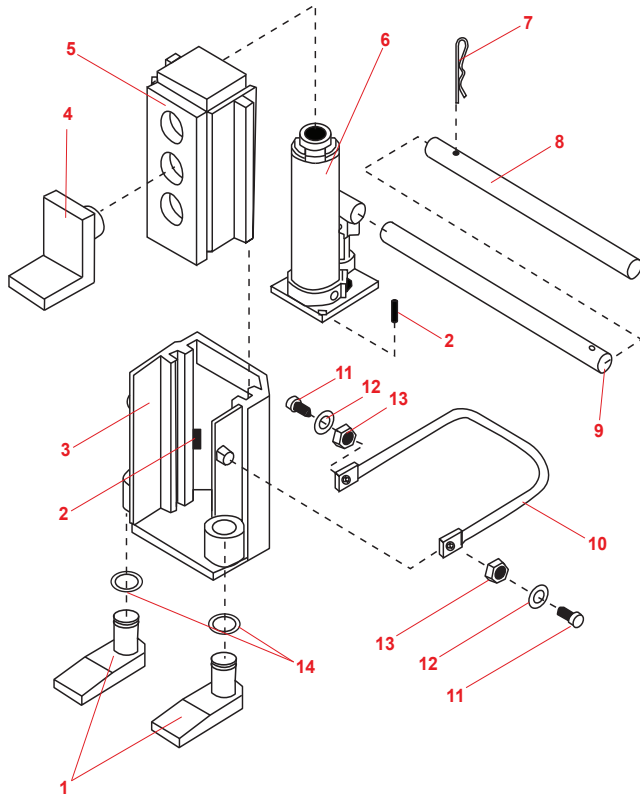


Fig. No.	Description	Qty
1.	Supporting Foot	2
2.	Pin	2
3.	Base	2
4.	Moveable Fork	1
5.	Cover	1
6.	Jack Assembly	1
7.	Spring Pin	1

Fig. No.	Description	Qty
8.	Pumping Handle	1
9.	Pumping Handle	1
10.	Portable Handle	1
11.	Screw	2
12.	Washer	2
13.	Nut	2
14.	Retaining Pin	2

