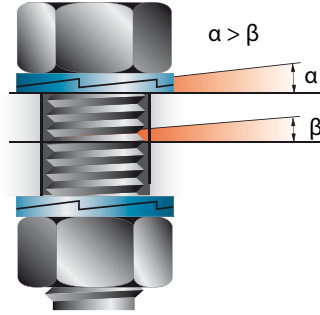




Van Beest recommends the use of a lubricant (e.g. GTP600 or Molykote® 1000) in order to reduce friction, minimize preload deviation and protect against corrosion. The lubricant should be applied on the thread of the nut.

Tension makes the bolt self-locking

The key is the difference in angles. Since the cam angle "α" is larger than the thread pitch "β", the pair of washers expand more than the corresponding pitch of the thread.

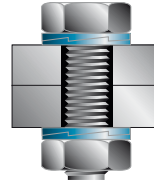


Securing bolt grade: A4-80
Lubricant: Grease

Nord-Lock® washers lock the fastener in a joint which is subjected to extreme vibration or dynamic loads. Each shackle's unique combination of bow, pin and nut should be kept together at all times.

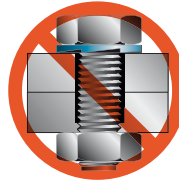
* The securing nuts of the Green Pin® Fixed nut shackles are nylon-lock nut types. This type of nut will not disassemble easily during transport.

Do's

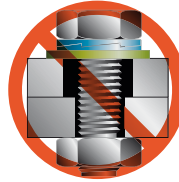


Through holes require two pairs of Nord-Lock® washers to keep the bolt secured when tightening the nut.

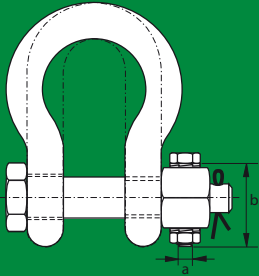
Don'ts



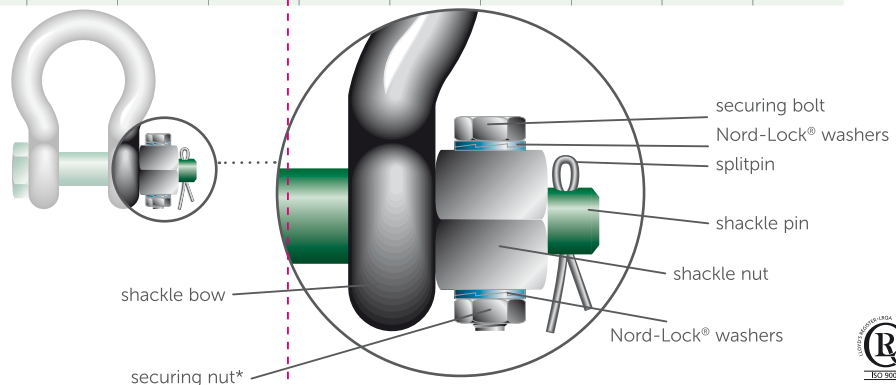
Never use a single washer to keep the bolt secured.



Loose washers or filling plates can rotate and therefore cannot be used. This would disable the Nord-lock® washers



G-4143 Safety bow WLL	G-4133 Safety dee WLL	G-5143 Polar WLL	G-5243 Super WLL	G-4243 BigMouth bow WLL	P-6016 G-6018 P-6011 Heavy Duty WLL	P-6013 Sling WLL	securing bolt thread	securing bolt length	torque
t	t	t	t	t	t	t	a mm	b mm	Mn
2	2	2	3.3				M6	35	9.2
3.25	3.25	3.25	5				M6	40	9.2
4.75	4.75	4.75	7			7	M6	45	9.2
6.5	6.5	6.5	9.5	4.75		12.5	M8	50	22
8.5	8.5	8.5	12.5	6.5			M8	55	22
9.5	9.5	9.5	15	8.5			M10	60	43
12	12	12	18	9.5		18	M10	65	43
13.5	13.5	13.5	21	12			M10	70	43
						30	M6	75	9.2
17	17	17	30	16			M8	75	22
25	25	25	40	25		40	M8	90	22
35	35	35	55	30		55	M10	100	43
							M10	100	43
42.5	42.5	42.5					M12	110	75
55	55	55	85	55		75	M12	120	75
						125	M12	130	75
85	85	85	120	75		150	M12	140	75
			150		120		M12	150	75
			175		150		M12	160	75



greenpin.com

A VAN BEEST BRAND

