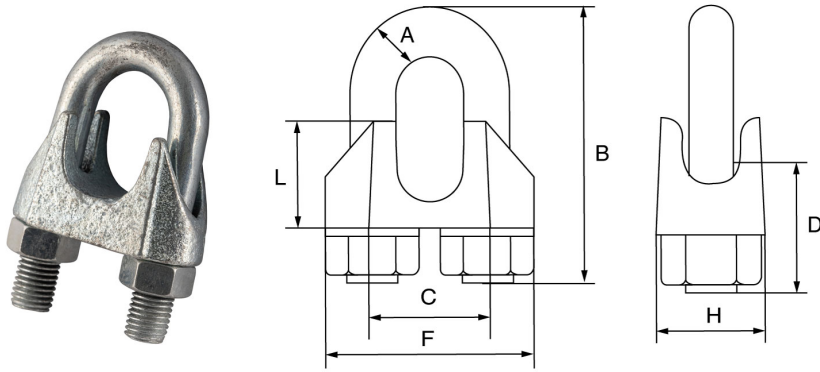


Commercial Wire Rope Grip – WRGC



GT

- Cast steel bridge. Mild steel u-bolt and nuts.
- Electro galvanised finish.
- Marked with size on bridge.
- Certification available **2.1**

Product Code	Rope Dia mm	A mm	B mm	C mm	D mm	F mm	H mm	L mm	Weight kgs/100
WRGC3	3	4	20	9	12	21	10	10	1.4
WRGC5	5	5	24	11	13	23	11	10	1.5
WRGC6	6.5	5	28	13	15	26	12	11	2.1
WRGC8	8	6	34	16	19	30	14	15	4.1
WRGC10	10	8	42	19	22	34	18	17	6.8
WRGC13	13	10	55	24	30	42	23	21	11
WRGC16	16	12	63	29	33	50	26	26	21
WRGC19	19	12	75	32	38	54	29	30	28
WRGC22	22	14	85	37	44	61	33	34	40
WRGC26	26	14	95	41	45	65	35	37	44

Product Code	Rope Dia	A	B	C	D	F	H	L	Weight
	mm	mm	mm	mm	mm	mm	mm	mm	kgs/100
WRGC30	30	16	100	48	50	74	37	43	60
WRGC34	34	16	109	52	55	78	39	50	85
WRGC40	40	16	129	58	60	86	44	55	104
WRGC45	45	18	148	68	70	105	51	63	135
WRGC50	50	18	158	73	70	112	54.5	69	160