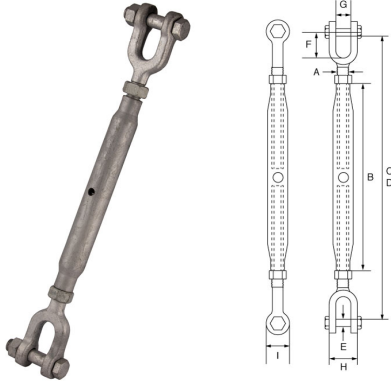


Closed Body Rigging Screw Jaw/Jaw – RSJJ



GT

- Mild steel.
- Hot dipped galvanised finish.
- Proof load tested to 2 times the W.L.L.
- Minimum breaking load is 5 times the W.L.L.
- Metric Threads.
- Marked with CE, W.L.L, manufacturers ID and traceability code.
- Certification available **2.1** **DoC**

Product Code	W.L.L. t	A mm	B mm	C - Closed mm	D - Open mm	E mm	F mm	G mm	H mm	I mm	Weight kgs
RSJJ6	0.2	6	100	175	255	5	19	7	20	13	0.146
RSJJ8	0.32	8	108	199	282	6	25	9	24	14	0.26
RSJJ10	0.5	10	125	222	320	8	26	10.5	28	19	0.42
RSJJ12	0.7	12	195	320	479	10	32	13	33	22	0.81
RSJJ16	1.2	16	230	388	572	12	39	18	42	28	1.44
RSJJ20	1.5	20	270	454	672	16	46	20	51	33	2.28

Product Code	W.L.L. t	A mm	B mm	C - Closed mm	D - Open mm	E mm	F mm	G mm	H mm	I mm	Weight kgs
RSJJ22	2.2	22	295	490	730	20	55	25	55	38	3.23
RSJJ24	3.2	24	325	558	819	22	63	30	70	46	4.34
RSJJ33	4.8	33	370	681	977	30	85	38	82	60	9.56
RSJJ39	6	39	400	710	1017	33	86	45	85	76	11.12
RSJJ45	8.5	45	400	760	1050	39	105	50	100	86	16.4
RSJJ48	11	48	400	820	1110	45	120	58	118	92	24