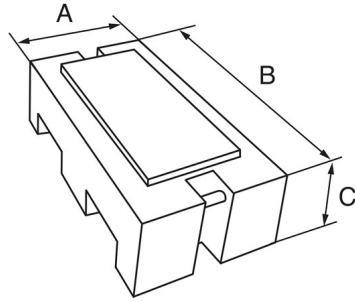
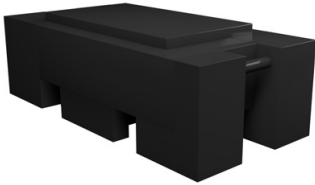


Calibrated Slab Test Weight – TW



- Cast iron.
- Black lacquer paint finish.
- Stackable.
- Maneuverable via forklift or pallet truck.
- 2 integral lifting points.
- Marked with weight.
- Certification states calibration.
- Certification available **2.1**

Product Code	Size kgs	A mm	B mm	C mm	Weight kgs
TW250	250	440	800	210	250
TW500	500	440	800	380	500
TW1000	1,000	550	1000	450	1,000

