

PPESCZ10 Semi-Circular Maillon Rapide

Semi-Circular Maillon Rapide connector



Product Code:
282-1-3

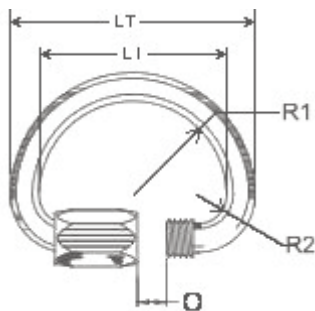
Conformance:
BS EN 362
BS EN 12275

Gate Opening:
12mm

Breaking Strength:
45kN

Material:
Zinc Plated Steel

Weight:
153 grams



Size		Dimensions - mm							CR	BL
mm	inch	L.T	L.I	O	E	R1	R2	T	large axis	small axis
10.0	7/16"	86	66	10	29	33	10	13	45kN	10kN