

SH999 Double Action Scaffold Snaphook

Data Sheet

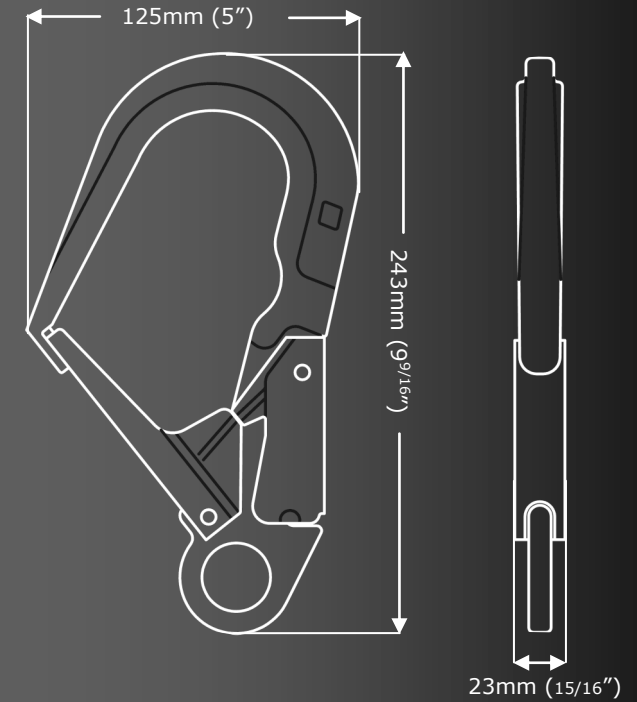


climb. work. rescue.

I|S|C

SOLUTIONS IN METAL

The SH999 is a Large Aluminium double action Snaphook has a locked nose for increased side strength.



Weight	495g (17oz)
Eye Diameter	26mm (1")
Gate Opening	60mm (2 ³ / ₈ "
Body Material	Aluminium
Finish	Anodised
MBS	35kN (7868lbf)