

PMD2VA DIN rail PSU

Cost-effective, switch mode power supply for JACE 2/6 and ION modules

The PMD2VA DIN rail PSU converts mains AC voltage to 15Vdc in order to power the Tridium JACE controllers and associated IO modules (ION range). Employing the latest switch mode powered circuitry housed in a compact DIN rail mounting enclosure, the PMD2VA provides a cost-effective PSU solution. Screw terminal connectors and a specially provided flying lead ensure robust wiring to the JACE.



Key features

- Universal AC input
- Special lead for connection to JACE included
- Protections: Short circuit/ Overload/Over voltage
- Cooling by free air convection
- Built in DC OK active signal
- Can be installed on DIN rail TS-35/7.5 or 15
- LED indicator for power on
- No load power consumption <0.75W100%
- Full load burn-in tested

Applications

The PMD2VA should be mounted adjacent to the JACE controller and has sufficient capacity to power up to 4 IO modules in addition of the JACE (1 x IO-34 + 2 IO-16s OR 4 x IO-16s). The PMD2VA connects to the JACE by means of a flying lead with female jack plug type connector provided.

How to order

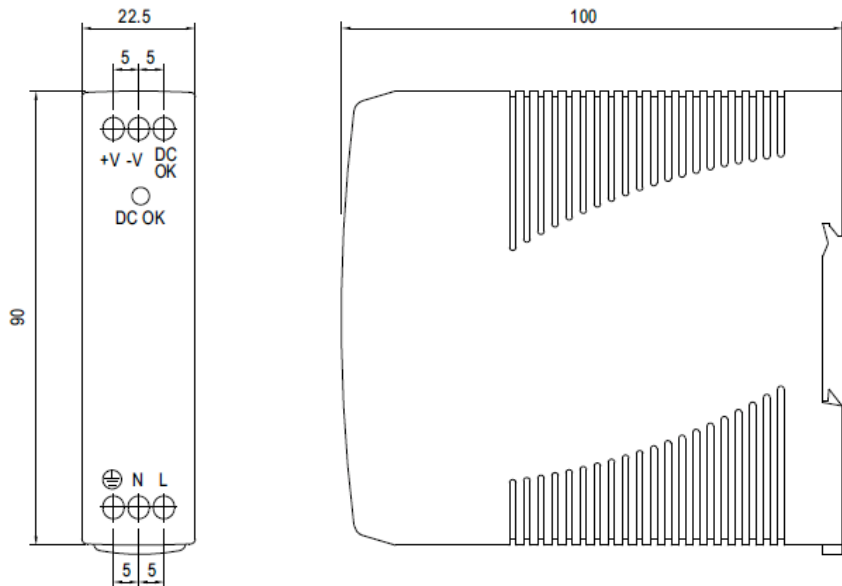
| Product Code | Description |
|--------------|--------------------------------------|
| PMD2VA | 15Vdc DIN rail mounting Power Supply |

PMD2VA DIN rail PSU

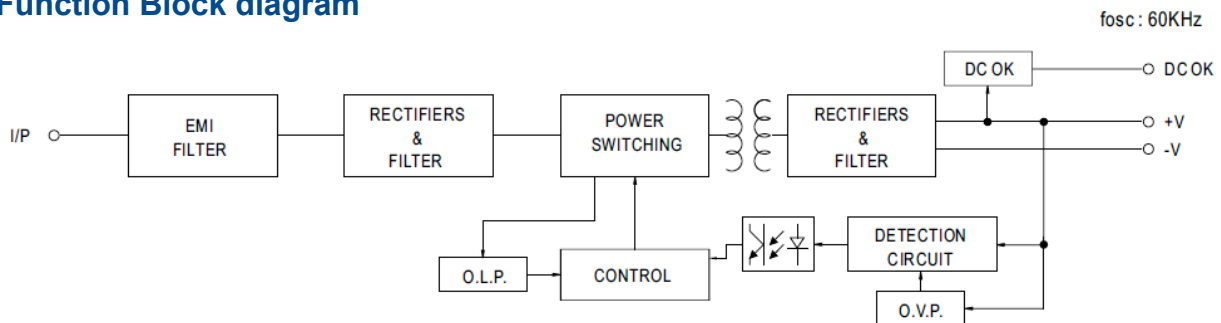
Specifications

Mechanical layout

All dimensions are in mm



Function Block diagram



Output

| | |
|------------------------|-------------------------|
| DC Voltage | 15V |
| Rated Current | 0.67A |
| Current range | 0 – 0.67A |
| Rated Power | 10W |
| Ripple & Noise (max) | 120mVp-p |
| Voltage tolerance | +/-3% |
| Line regulation | +/-1% |
| Load regulation | +/-3% |
| Setup rise time | 500ms, 30ms/230Vac |
| Hold up time (typical) | 50ms/230Vac 20ms/115Vac |

Input

| | |
|--------------------------|-------------------------------------|
| Voltage range | 85-264Vac 120-370Vdc |
| Frequency range | 47-63Hz |
| Efficiency (typical) | 80% |
| AC current (typical) | 0.21A/230Vac 0.33A/115Vac |
| Inrush current (typical) | Cold start 70A/230Vac 35A/115Vac |
| Leakage current | <1mA/240Vac |

Protection

| | |
|------------------|----------------------------------------------------------------------|
| Overload power | Above 105% rated output |
| Protection type: | Hiccup mode, recovers automatically after fault condition is removed |
| Over voltage | 17.25 ~ 20.25V |

Function

DC OK Active signal (max.) 11.5 – 16.5V /40mA

Environment

Operating temperature range: -20 to 70°C
Storage Temperature range: -40 to 85°C
Relative humidity: 20 to 90%RH, non-condensing

Agency Listings

CE, UL508, TUV EN60950-1 approved, NEC class 2 /LPS compliant, EN55011, EN55022 (CISPR22), EN61204-3 Class B, EN61000-4-2, 3, 4, 5, 6, 8, 11, ENV50204, EN61000-6-1, EN61204-3

TRIDIUM®

Tridium Europe Ltd

1 The Grainstore, Brooks Green Road, Coolham, West Sussex RH13 8GR, UK
Telephone: +44 (0) 1403 740290 www.tridium.com

PMD2VA Power Supply Datasheet v1.0 12.6.09