

RETTANGOLO SLIM

MODO: Catalogo 2016
PRODUCT: Rettangolo Slim
DESIGN: Modoluce R&D
YEAR: 2013

INFO



RESESP050C01 + RESESP150C01

— Sospensione e plafoniera rettangolare con rivestimento in tessuto di cotone, plissé e plissé ribbon.
 — Rectangular suspension and ceiling lamp in cotton, pleated or ribbon pleated fabric.
 — Suspension et plafonnier rectangulaire en coton, plissé et plissé ribbon.
 — Rechteckige Hänge- und Deckenleuchte aus Baumwolle, Plissee und Plissee Ribbon.
 — Suspensión o plafón rectangular en algodón, plisado o plisado ribbon.

CODE & LIGHT BULBS

RESESP050C01

→ 50 × 50 × h 12 cm — kg 2,5

RESESP100C01

→ 100 × 50 × h 12 cm — kg 8,00

RESESP150C01

→ 150 × 50 × h 12 cm — kg 11,00

sospensione, suspension, suspension, Hängeleuchte, suspensión

RESEPL050C01

→ 50 × 50 × h 13 cm — kg 2,5

RESEPL100C01

→ 100 × 50 × h 13 cm — kg 8,00

RESEPL150C01

→ 150 × 50 × h 13 cm — kg 11,00

plafoniera, ceiling lamp, plafonnier, Deckenleuchte, plafón

→ 50

⊕ 3 × E27 42W HES

⊕ 3 × E27 LED – Fluo

⊕ 1 × FC T5 55W

⊕ 1 × modulo LED 34,1W 3000K

→ 100

⊕ 6 × E27 42W HES

⊕ 6 × E27 LED – Fluo

⊕ 2 × FC T5 22W

⊕ 2 × modulo LED 18W 3000K

→ 150

⊕ 8 × E27 42W HES

⊕ 8 × E27 LED – Fluo

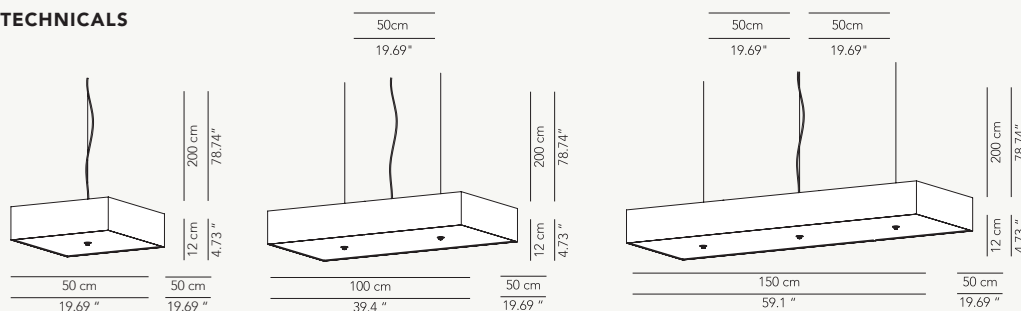
⊕ 3 × FC T5 22W

⊕ 3 × modulo LED 18W 3000K

INDOOR IP 20



TECHNICALS



FINISHES



cotton



plissé



plissé ribbon

** cable on measure

* on demand

RETTANGOLO SLIM

MODO: Catalogo 2016
PRODUCT: Rettangolo Slim
DESIGN: Modoluce R&D
YEAR: 2013

INFO



RESEPL050C01 + RESEPL100C01

— Sospensione e plafoniera rettangolare con rivestimento in tessuto di cotone, plissé e plissé ribbon.
 — Rectangular suspension and ceiling lamp in cotton, pleated or ribbon pleated fabric.
 — Suspension et plafonnier ractangulaire en coton, plissé et plissé ribbon.
 — Rechteckige Hänge- und Deckenleuchte aus Baumwolle, Plissee und Plissee Ribbon.
 — Suspensión o plafón rectangular en algodón, plisado o plisado ribbon.

CODE & LIGHT BULBS

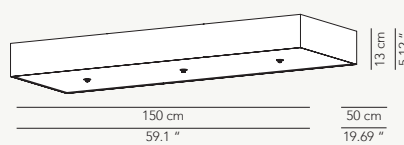
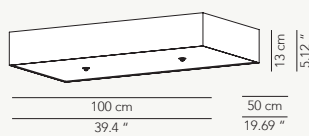
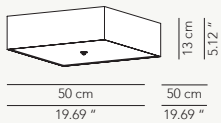
RESESP050C01
 → 50 × 50 × h 12 cm — kg 2,5
RESESP100C01
 → 100 × 50 × h 12 cm — kg 8,00
RESESP150C01
 → 150 × 50 × h 12 cm — kg 11,00
sospensione, suspension, suspension, Hängeleuchte, suspensión
RESEPL050C01
 → 50 × 50 × h 13 cm — kg 2,5
RESEPL100C01
 → 100 × 50 × h 13 cm — kg 8,00
RESEPL150C01
 → 150 × 50 × h 13 cm — kg 11,00
plafoniera, ceiling lamp, plafonnier, Deckenleuchte, plafón

INDOOR IP 20



→ 50
 ♪ 3 × E27 42W HES
 ♪ 3 × E27 LED – Fluo
 ♪ 1 × FC T5 55W
 ♪ 1 × modulo LED 34,1W 3000K
 → 100
 ♪ 6 × E27 42W HES
 ♪ 6 × E27 LED – Fluo
 ♪ 2 × FC T5 22W
 ♪ 2 × modulo LED 18W 3000K
 → 150
 ♪ 8 × E27 42W HES
 ♪ 8 × E27 LED – Fluo
 ♪ 3 × FC T5 22W
 ♪ 3 × modulo LED 18W 3000K

TECHNICALS



FINISHES



cotton



plissé



plissé ribbon

* on demand