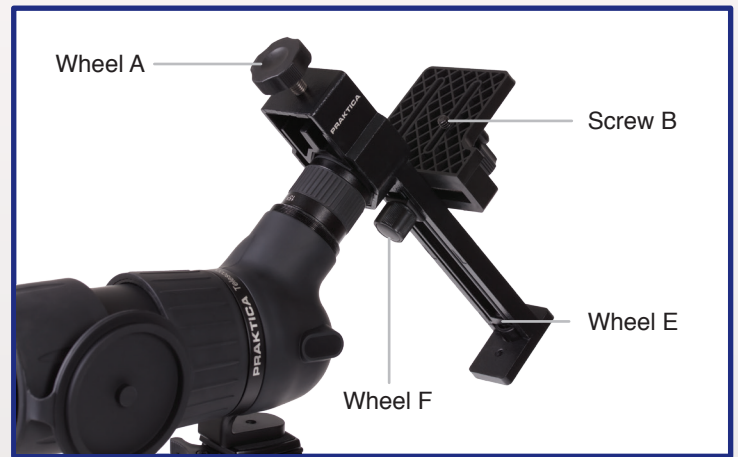


## Digiscoping Camera Mount

Attach your camera to your spotting scope in a matter of seconds and take photographs at long range. All you need is a digital camera, a spotting scope with an eyepiece diameter 28-42mm and the PRAKTICA Digiscoping Camera Mount.

Set up is easy, just follow these simple steps!

1. Setup your spotting scope on a tripod.
2. Insert the spotting scope eyepiece into the digiscoping mount and tighten Wheel A until the mount is secure.
3. Focus the spotting scope.



4. Attach screw B on the digiscoping mount to the bottom of your camera using Wheel C.
5. Move the camera to the furthest position away from the scope and turn on the camera so that the lens is fully extended.
6. Move the camera towards the spotting scope lens and adjust the position of the camera platform using Wheel D and E. The camera lens needs to be perfectly aligned and as close as possible to the spotting scope without the lenses touching. You should be able to see a small image on the LCD screen or camera viewfinder with vignette on surrounding areas.
7. When your camera is in the correct position tighten Wheel F and G.



8. To reduce the vignette, zoom in onto the subject via the camera and refocus the spotting scope. Allow the camera a moment to adjust and begin taking photographs.