

Udon Chair

by Staffan Holm

By borrowing from both European and Japanese carpentry traditions for his Udon Chair, Staffan Holm creates a compelling version of the classic bistro chair. Built from a simple few sturdy joints, Udon attains an openness uncommon to such stiff seating. The beech wood's subtle grain is accentuated by the variously colored stains.

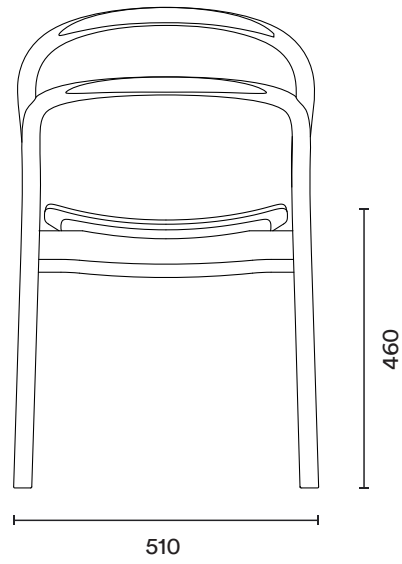
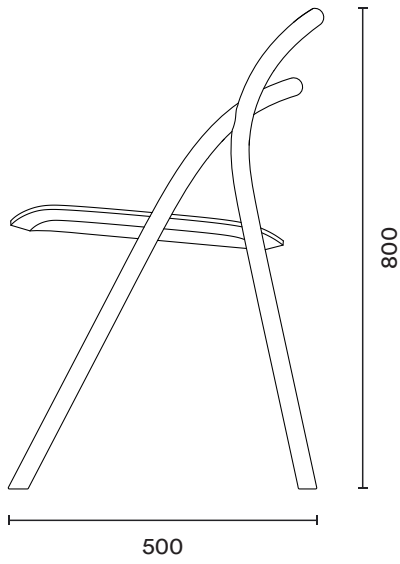
Settle for a quick break around the table to dine, work, or play.



hem

Technical Specifications

L: 500 x W: 510 x H: 800 mm
H (seating): 460 mm



Materials and Colors

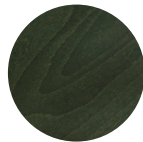
Material: Stained Beech



Natural



Black



Green



Blue



Brown