

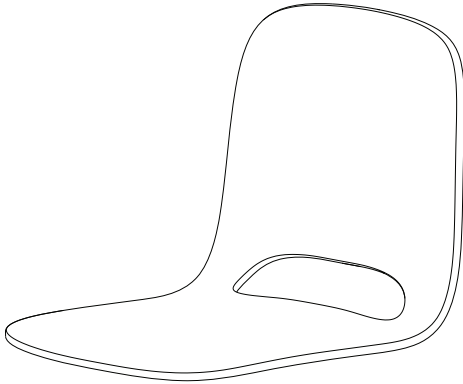
Touchwood Chair

by Lars Beller Fjetland

Born of Lars Beller Fjetland's belief that humans benefit from interaction with natural materials, Touchwood is a beautifully realised everyday life chair. Created entirely from ash, the chair is free of any extraneous components, relying solely on its minimal Scandinavian charm to draw the eye. The subtly curved seat provides the comfort.

Touchwood is available in various colours and is stackable.

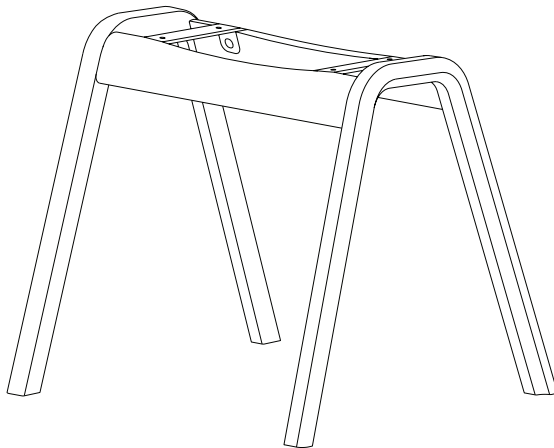
Packaging content



1 x seat



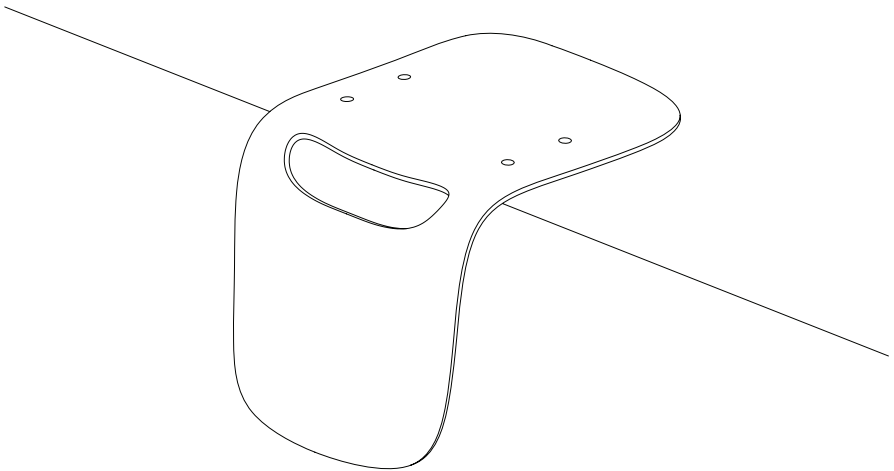
4 x screws



1 x legs

1

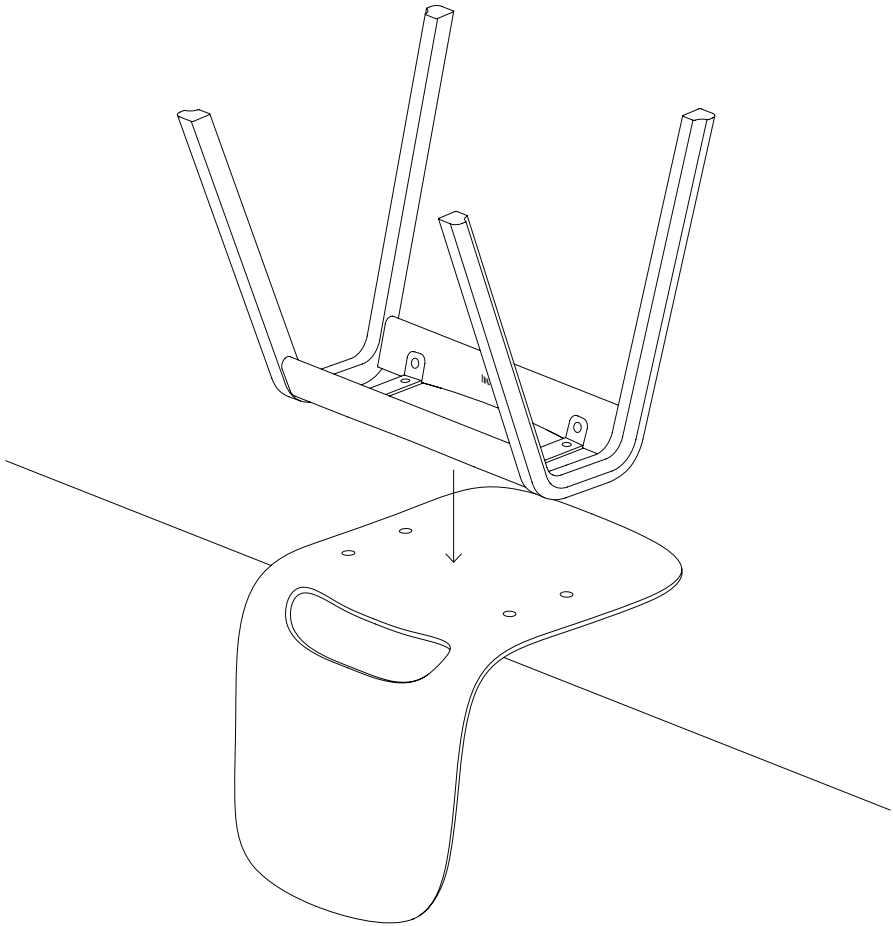
Turn the seat around and carefully place it on a clean and protected surface in order not to damage the seat.



2

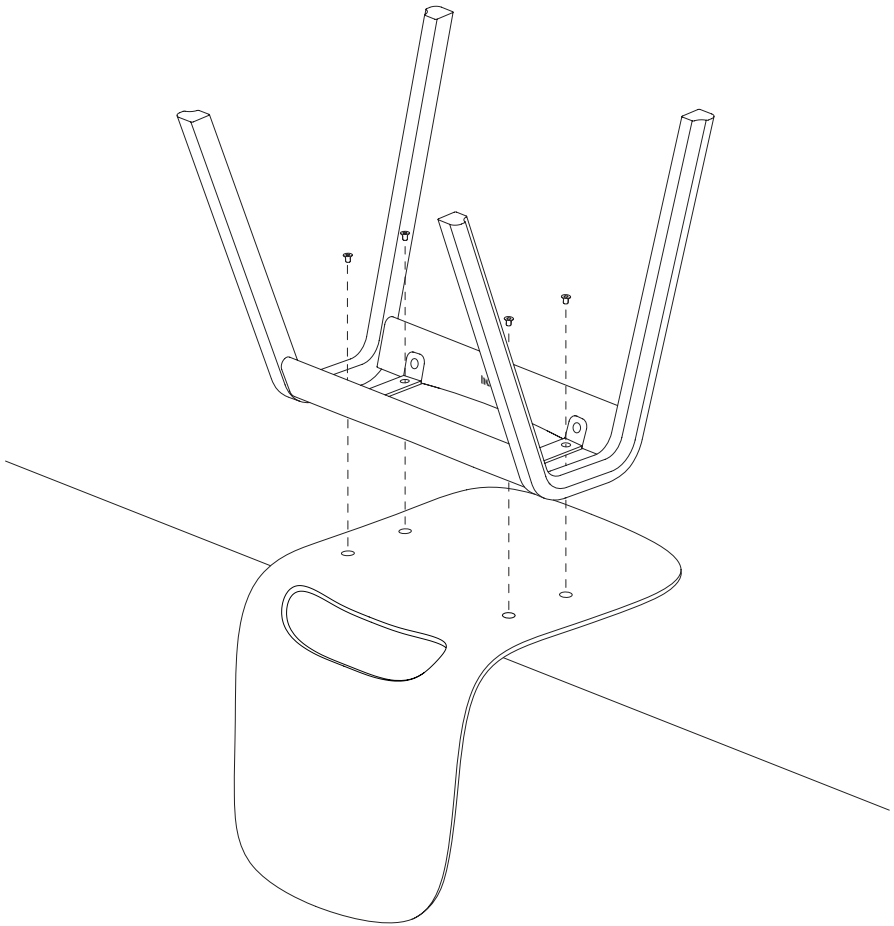
Turn the legs around, place them onto the seat and align all four holes.

You know you've placed the legs in the right way, when you see the Hem logo facing you on the inside of the frame.



3

Carefully insert and twist in the screws into the seat holes.
Start by fastening each screw half way. After that, tighten all of them firmly.



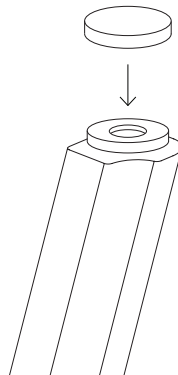
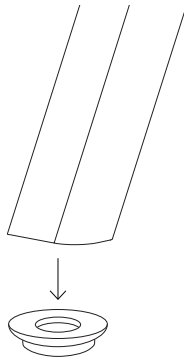
4

Turn the chair around and place it on an the floor. Have a seat!
Depending on use intensity, we recommend to check and eventually re-tighten the screws every half-year to guarantee maximum longevity for the product.



5

For a better protection of sensitive floors, you have the option to switch the plastic gliders to felt gliders. Simply remove the plastic cap with a screwdriver and click on the new ones.



?

Should you have any problems assembling your
product, contact us at info@hem.com.

We're always happy to help!

hem

hem.com