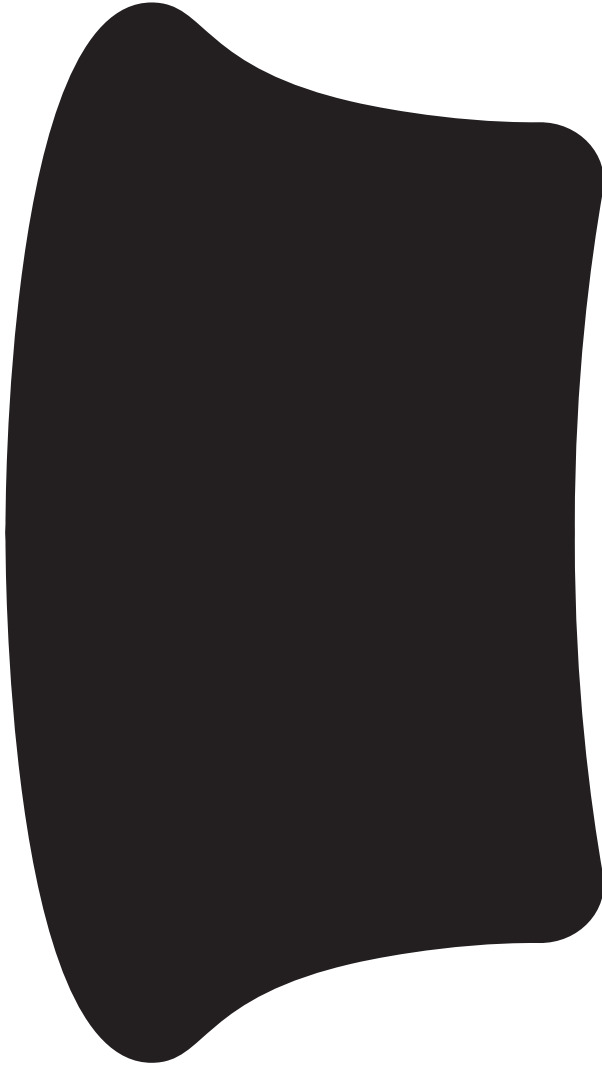





Touchwood



Assembly Instruction

Touchwood Chair
Durable and timeless

Subtle, strong, and elemental, the Touchwood Chair reflects designer Lars Beller Fjetland's belief that interacting with natural materials is of huge importance. Neither unnecessary decorations nor extraneous components should interrupt the simple relationship between material and user. The beechwood is molded into a continuous shape, making it contract grade durable, while preserving its flexibility. All variants of the Touchwood family stack, making them an ideal choice for public spaces or busy homes. If you perceive more than a little influence from classic minimalistic Scandinavian design at play in this hard-working, functional chair, you'd be right! An armchair, counter stool, bar stool and bar chair in a variety of wooden and metal bases, heights and finishes complete the Touchwood Family

Parts			
			Please note: The exact types and sizes of the parts in your package depend on the Touchwood variant you purchased.
1 x seat	4 x screws	1 x legs	

Touchwood family overview



Touchwood Chair



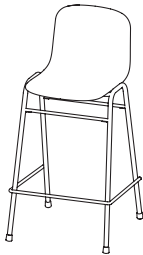
Touchwood Chair



Touchwood Armchair



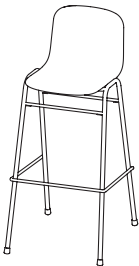
Touchwood Counter Stool



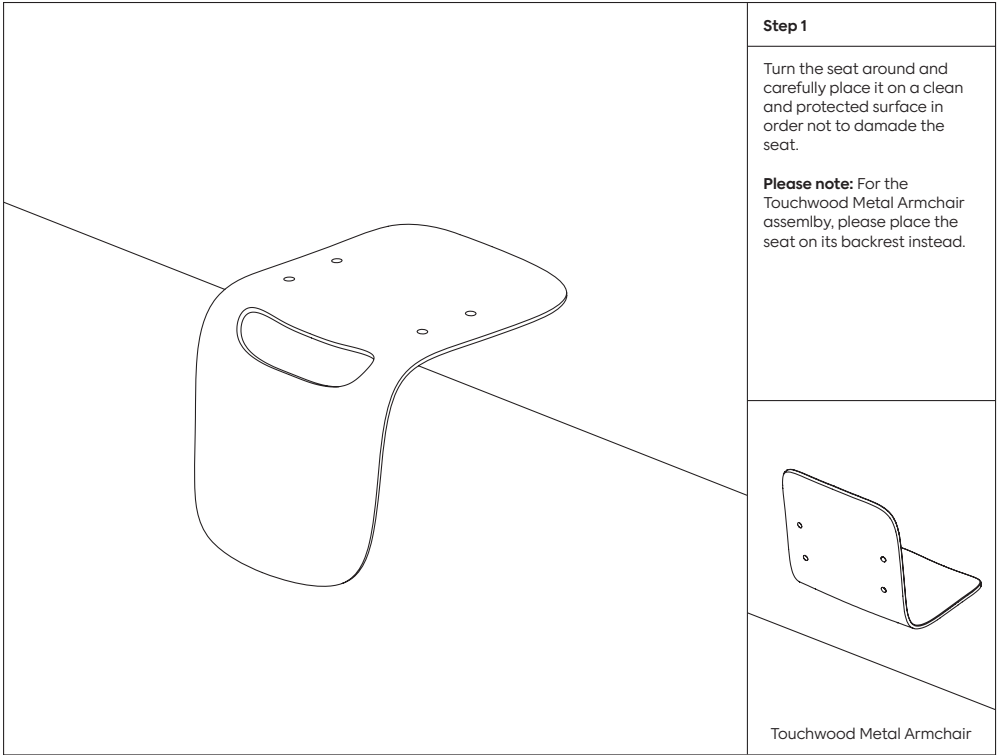
Touchwood Counter Chair



Touchwood Bar Stool



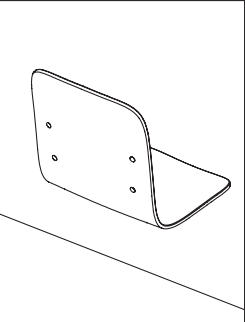
Touchwood Bar Chair



Step 1

Turn the seat around and carefully place it on a clean and protected surface in order not to damage the seat.

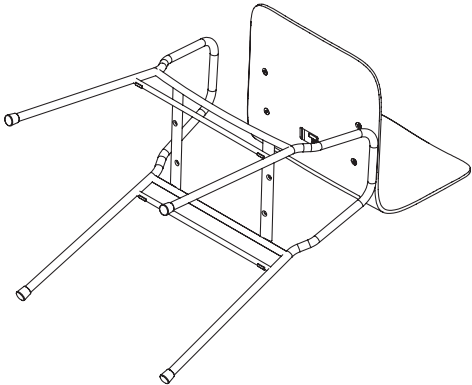
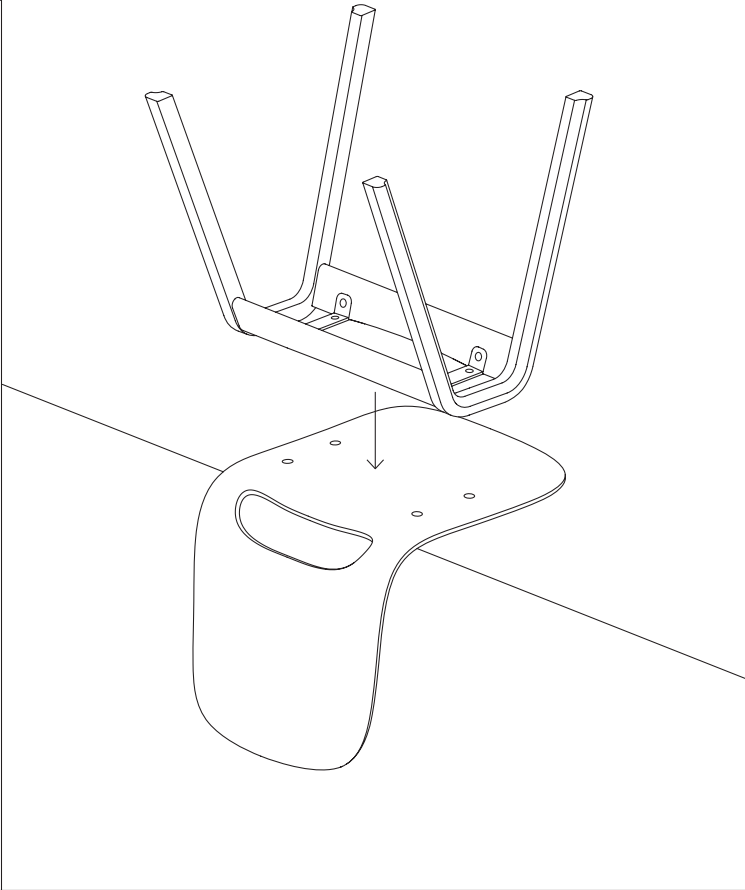
Please note: For the Touchwood Metal Armchair assembly, please place the seat on its backrest instead.



Touchwood Metal Armchair

Step 2

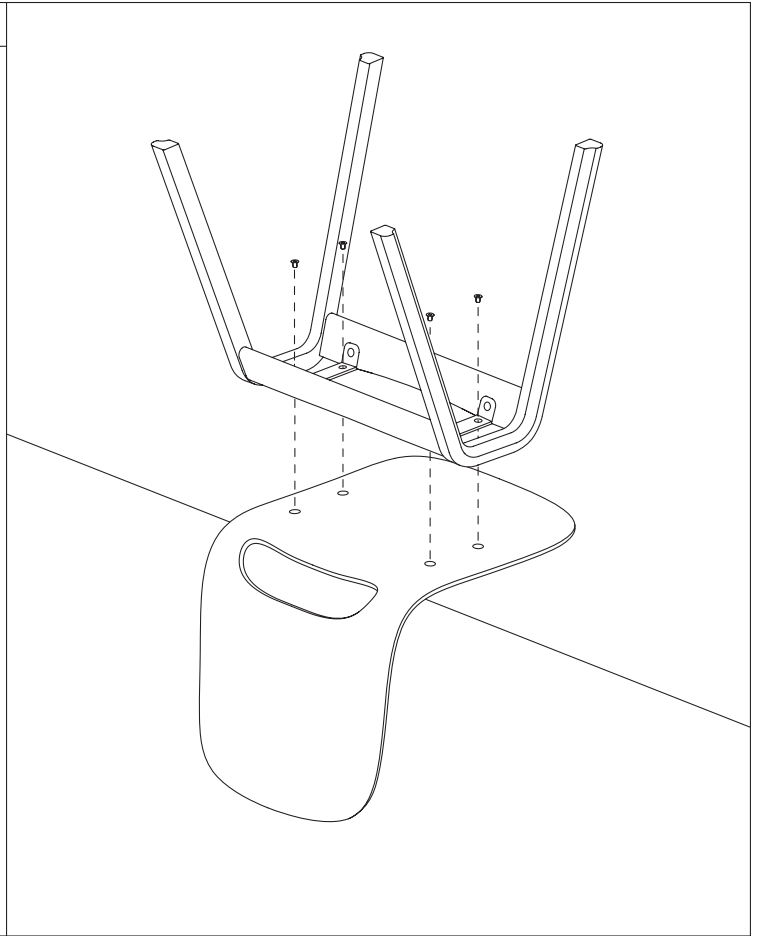
Turn the legs around, place them onto the seat and align all four holes.



On the Touchwood Armchairs you attach the legs horizontally.

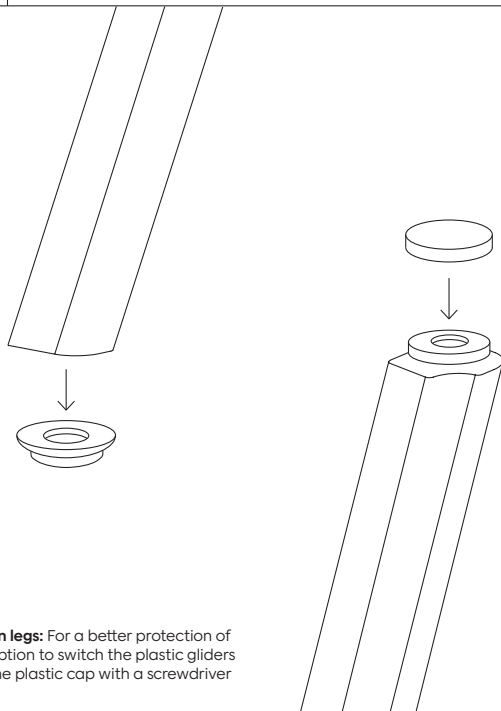
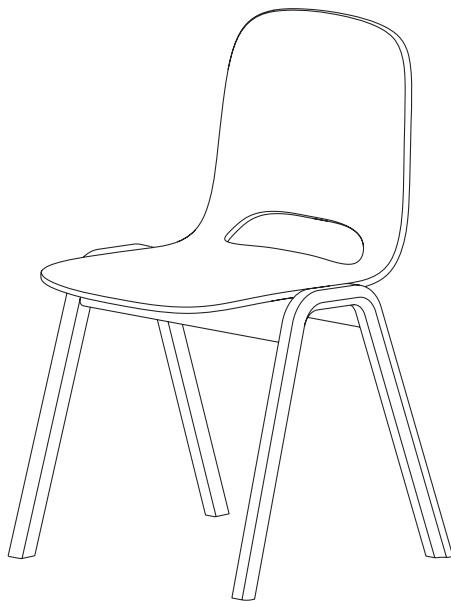
Step 3

Carefully insert and twist in the screws into the seat holes. Start by fastening each screw half way. After that, tighten all of them firmly.



Step 4

Turn your Touchwood around and place it on the floor. Have a seat! Depending on use intensity, we recommend to check and eventually re-tighten the screws every half-year to guarantee maximum longevity for the product.



Touchwood Chair with wooden legs: For a better protection of sensitive floors, you have the option to switch the plastic gliders to felt gliders. Simply remove the plastic cap with a screwdriver and click on the new ones.

Should you have any problems assembling your product, contact us at info@hem.com. We're always happy to help!

Hem