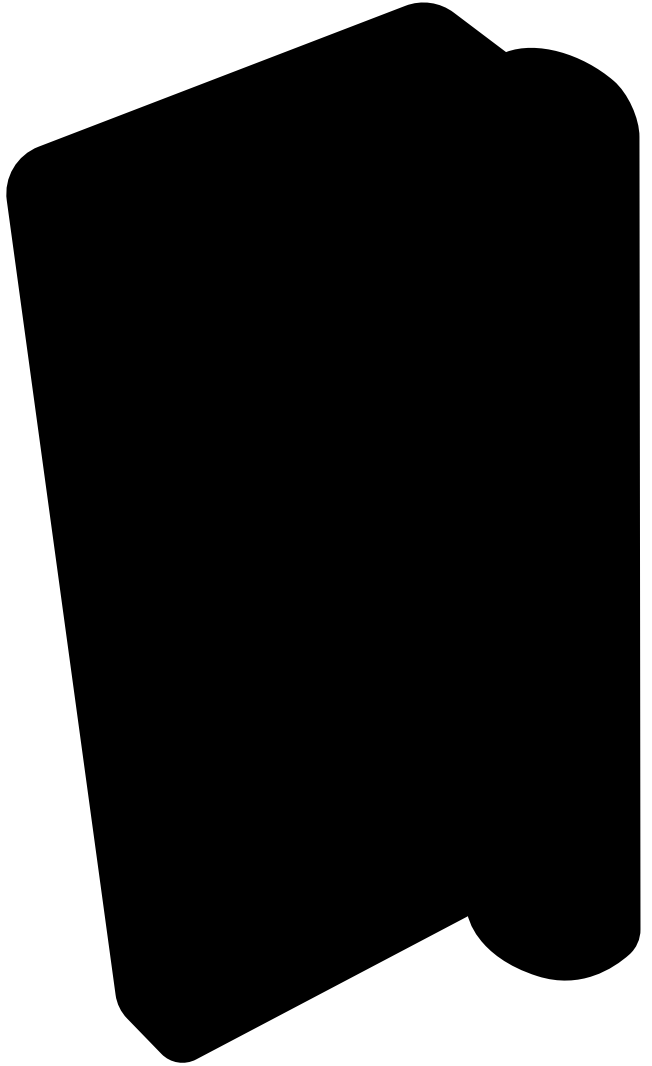


Palo Sofa



**Assembly
Instruction**

Palo Sofa

Your forever system

Palo is whatever you want it to be; a chaise, an ottoman, a sofa. This is furniture that evolves and grows with you. Elegant wood and metal legs are a hallmark of the architectural Palo family; as well as providing detail, they are the secret to a modular system that allows cushions and armrests to be moved and repositioned across the whole series. It doesn't end there... Want a side table for your tea? Or need to replace an individual element? Our approach enables you to update and grow your system, adapting to whatever life brings.

Please note that, depending on your palo configuration, there might be components left over.
Keep any additional hardware/components if you want to change your configuration later.

Parts



Leg cap

a



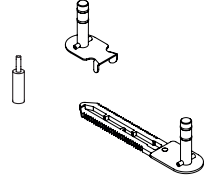
Leg tap

b

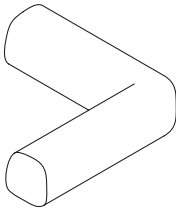


Leg base

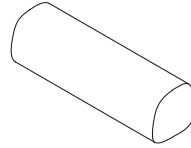
c



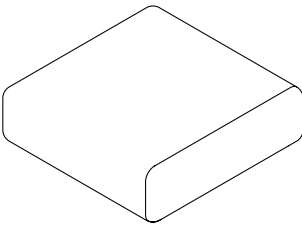
Small leg & connector
(Palo Corner Sofa only)



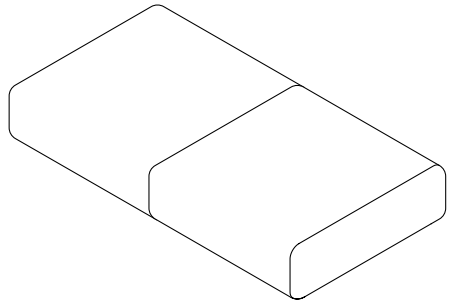
Backrest corner



Backrest straight

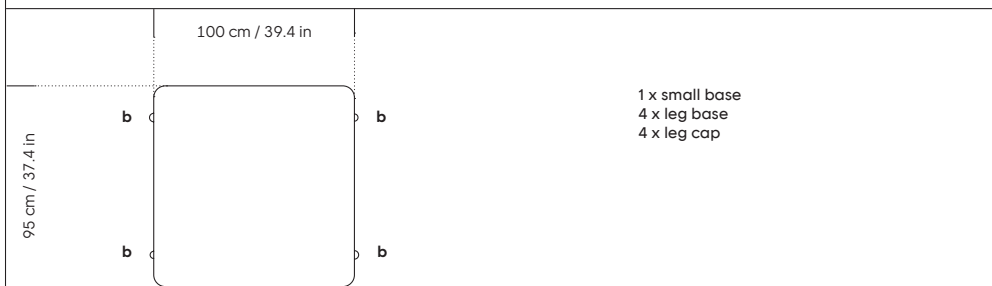


Small base



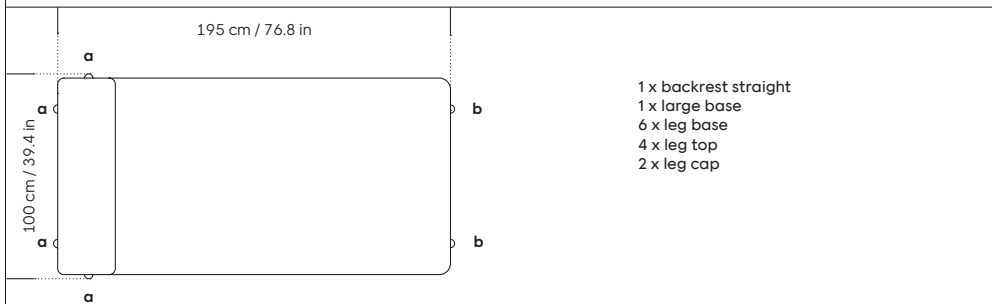
Large base

Module overview



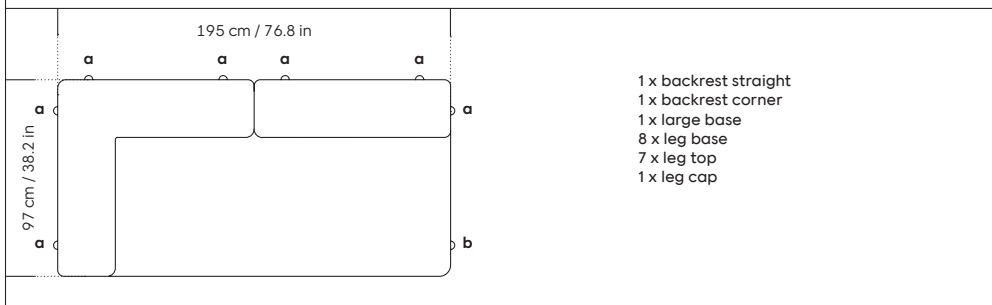
Palo Ottoman

L: 100 cm / 39.4 in x W: 95 cm / 37.4 in



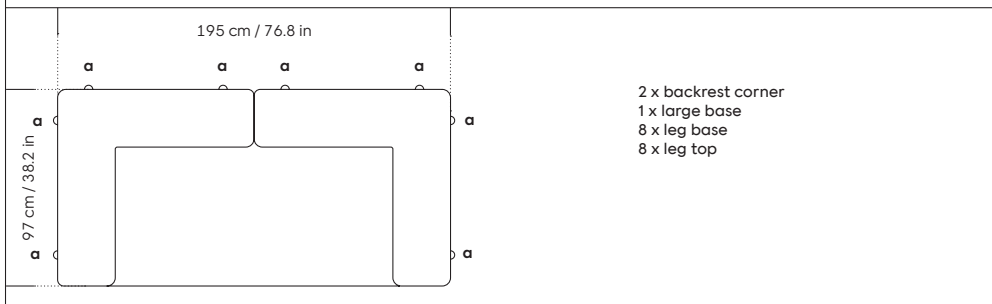
Palo Lounger Sofa

L: 195 cm / 76.8 in x W: 100 cm / 39.4 in



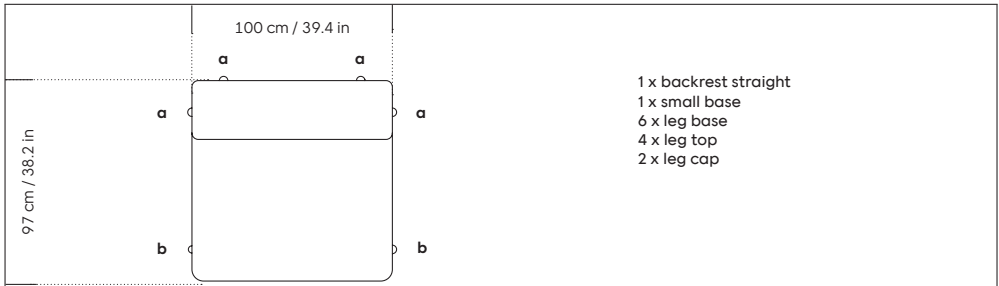
Palo 2-seater Sofa Chaise Right/Left

L: 195 cm / 76.8 in x W: 97 cm / 38.2 in

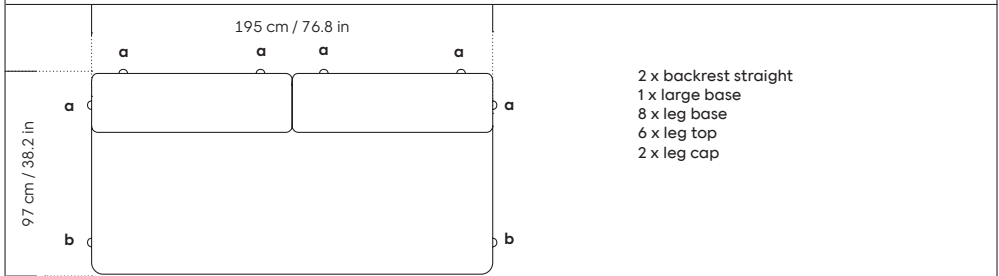


Palo 2-seater Sofa with Armrests

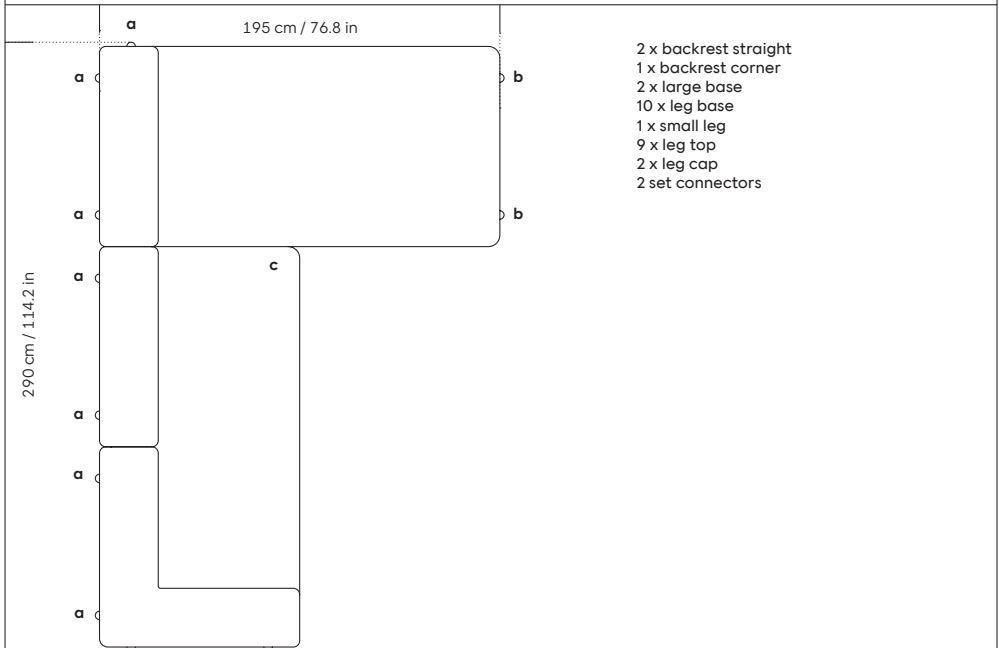
L: 195 cm / 76.8 in x W: 97 cm / 38.2 in



Palo Single-seater
L: 100 cm / 39.4 in x W: 97 cm / 38.1 in



Palo 2-seater Sofa
L: 195 cm / 76.8 in x W: 97 cm / 38.2 in

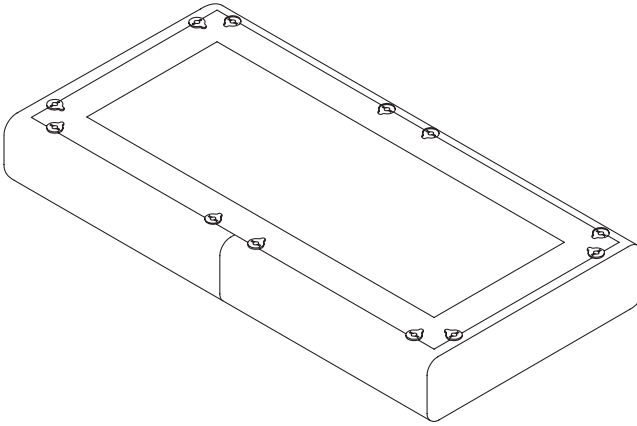


Palo Corna Sofa Right/Left
L: 290 cm / 114.2 in x W: 195 cm / 76.8 in

Step 1

We are building the Palo 2-seater Sofa Chaise Right.

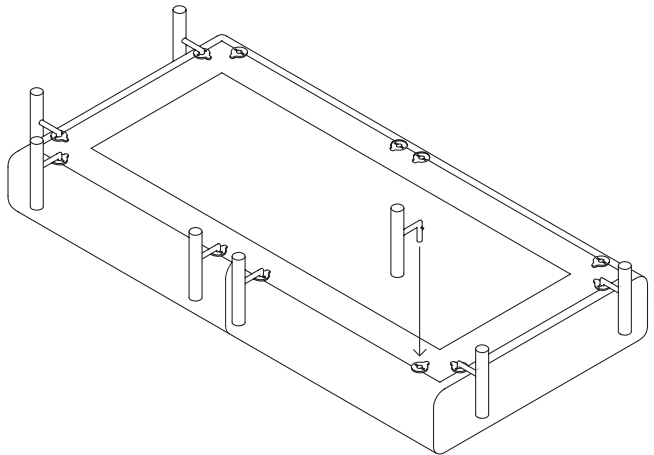
Turn the base of the sofa around and lay it on a clean, even surface.



Step 2

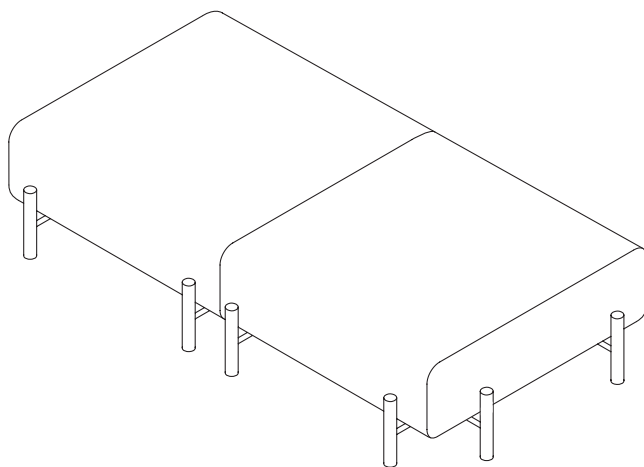
Lock all leg bases into the holes of the sockets provided. To insert the legs more easily, try to push the foam in and press in the leg.

Make sure all of the legs sit tightly in the base. Depending on which Palo configuration you have purchased, the amount of parts will vary (please see the module overview for reference).



Step 3

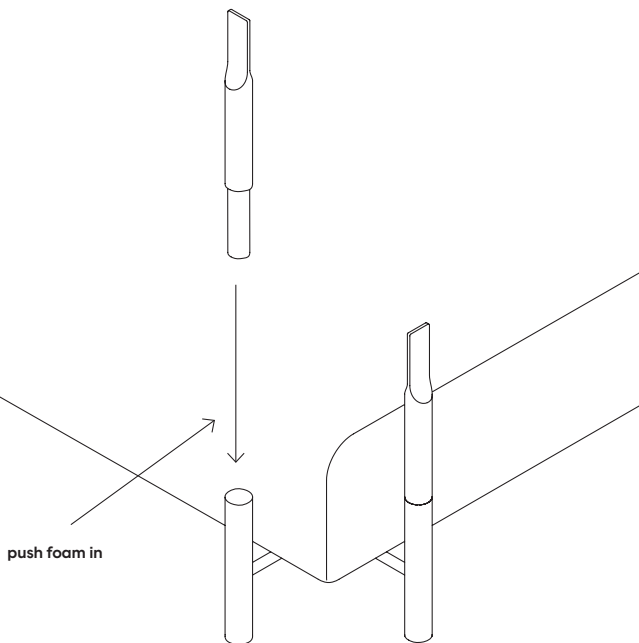
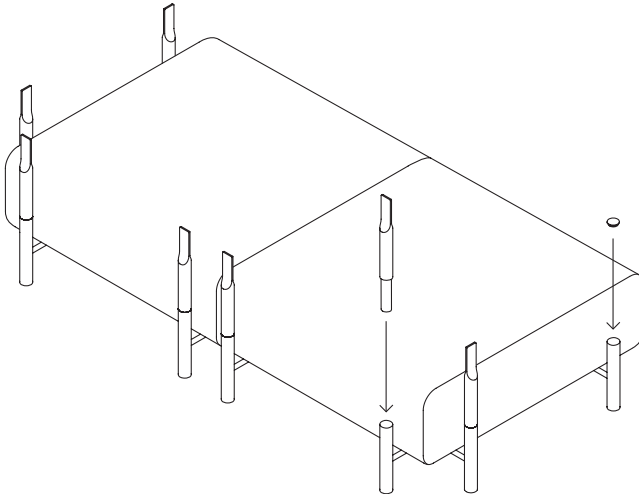
Turn the sofa base around and make sure everything feels stable. Ask a friend to help you.



Step 4

Next, place all the leg tops into the upper holes of the leg bases.

Depending on which Palo configuration you have purchased, seal the hole with a leg cap (please see the module overview for reference).

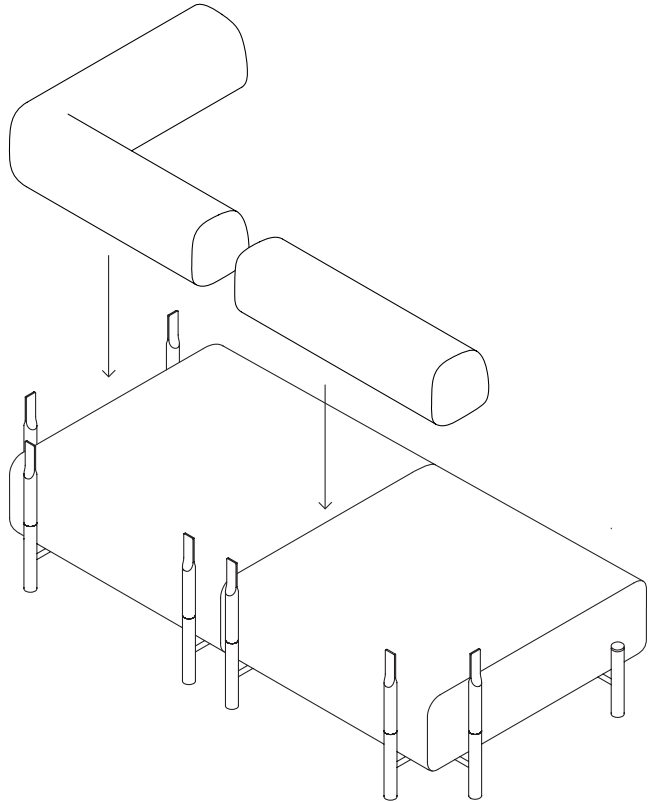


To insert the leg tops more easily, **try to push the foam with one hand in while pressing the leg in.**

If you still have issues to fit the top leg into the leg base, try to remove the silicone rings on the top leg.

Step 5

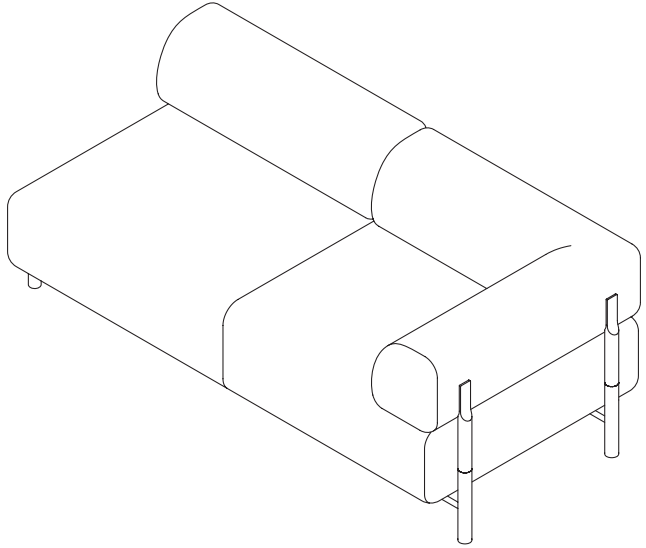
Each armrest and backrest needs to be supported by the legs tops which you have put in place at step 4. Please see the module overview for reference.



Step 6

You're done! Put the sofa to the desired angle and make sure everything feels stable.

Keep any additional hardware/components if you want to change your configuration later.



Want to change your configuration, add extra parts or in need of replacement parts? Send us an email at info@hem.com with all details and we'll be happy to provide you with a quote and place a manual order for you!

Additional assembly Palo Corner Sofa Left/Right

Step 7

Insert the black parts of the connectors on one sofa base by pressing it into the hole at the bottom.

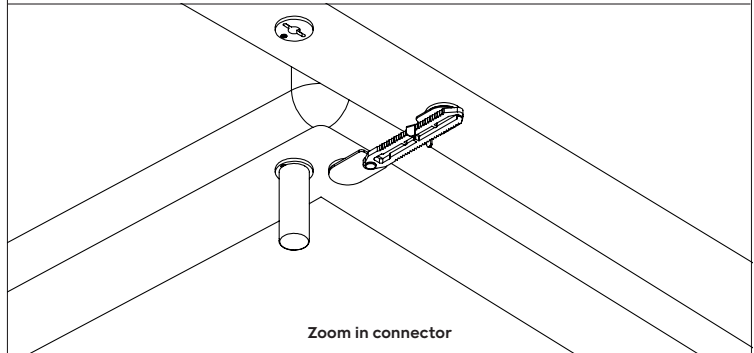
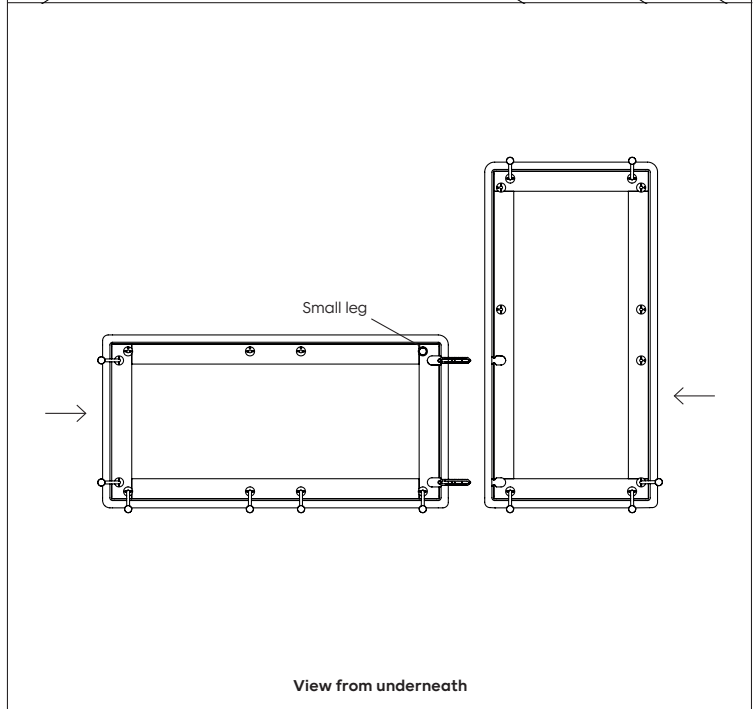
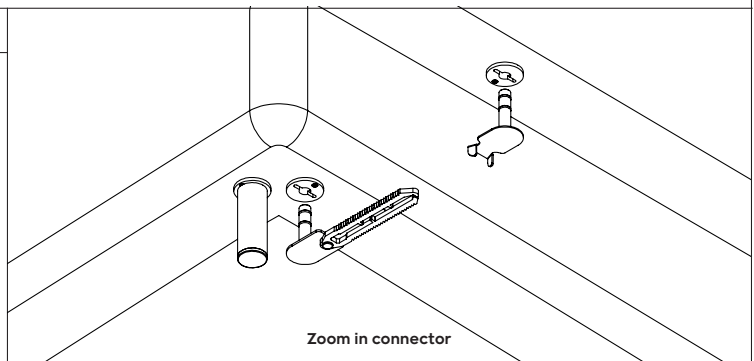
Then, insert the other parts of the connectors on the other sofa base. Make sure it sits tight in the base.

If needed, direct the black plastic part towards the opening on the opposite part.

Then, push the sofas together until the connectors click in fully.

If you want to disconnect the sofa, lift up the right part of the sofa in the picture and it will disconnect.

Once you have assembled both modules of your Palo Corner Sofa, make sure that you added the small leg into the big base to secure its stability.



Should you have any problems assembling your product, contact us at info@hem.com. We're always happy to help!

We have carefully selected the materials used in this product, and ask you to treat it responsibly too.
Please recycle all packaging according to your local disposal rules.

Hem