

Pal Stool and Pal Bar Stool

by Hallgeir Homstvedt

The Pal bar stool retains all the advantages of the low stool - easy assembly, lightweight sturdiness, affordability - while its extra height makes it perfect for bars and restaurants as well as kitchen counters. Designed by Hallgeir Homstvedt, the slender, curved legs were inspired by skateboard-making techniques and attach to the curved base through an ingenious X-shaped joint. The metal bracket on the legs makes for added strength and stability.

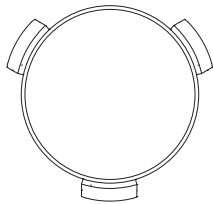
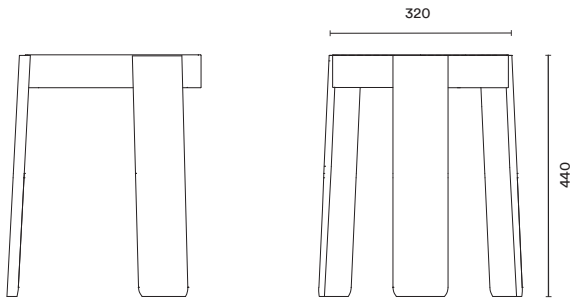


hem

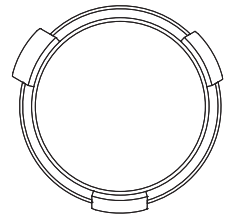
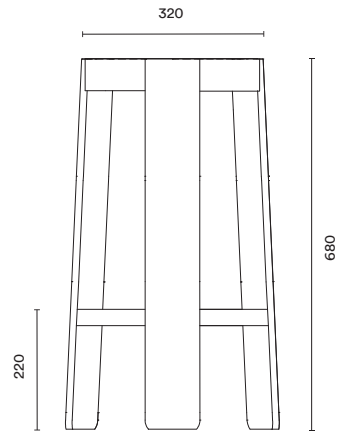
Technical Specifications

Load-bearing capacity: 150 kg

Pal Stool
320 × 440 mm



Pal Bar Stool
320 × 680 mm



Materials and Colors

Lacquered Ash, Metal Bracket
Produced in Poland



Black



Natural
Lacquered Ash