

# Lift Shelf

by Staffan Holm

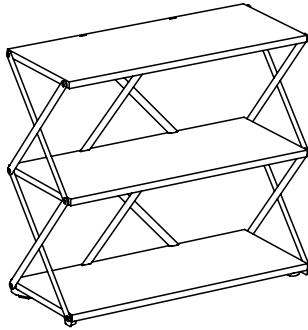
Staffan Holm's Lift shelf is inspired by the scissor lifts dotted around construction sites in his native Gothenburg. Made from solid ash, it's a piece that manages to reflect urban beauty whilst retaining the practicality of its source material: Lift's shelves ship flat to save on packaging. Extra Lift shelves can be stacked alongside or on top if you need extra storage space or want to make a bigger statement.



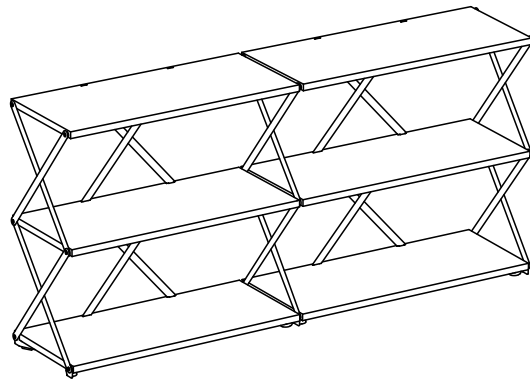
**hem**

Possible Lift Configurations  
Overview

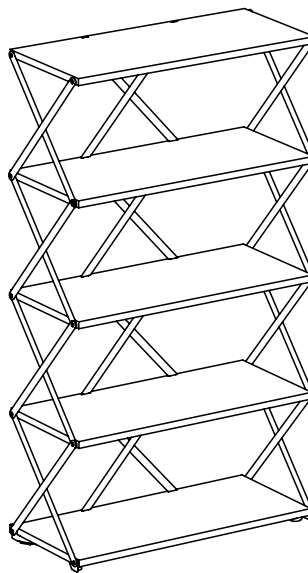
Lift 3



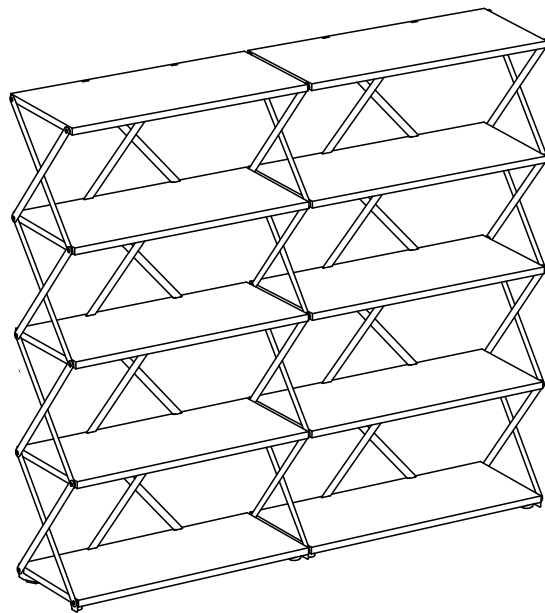
Lift 6



Lift 5

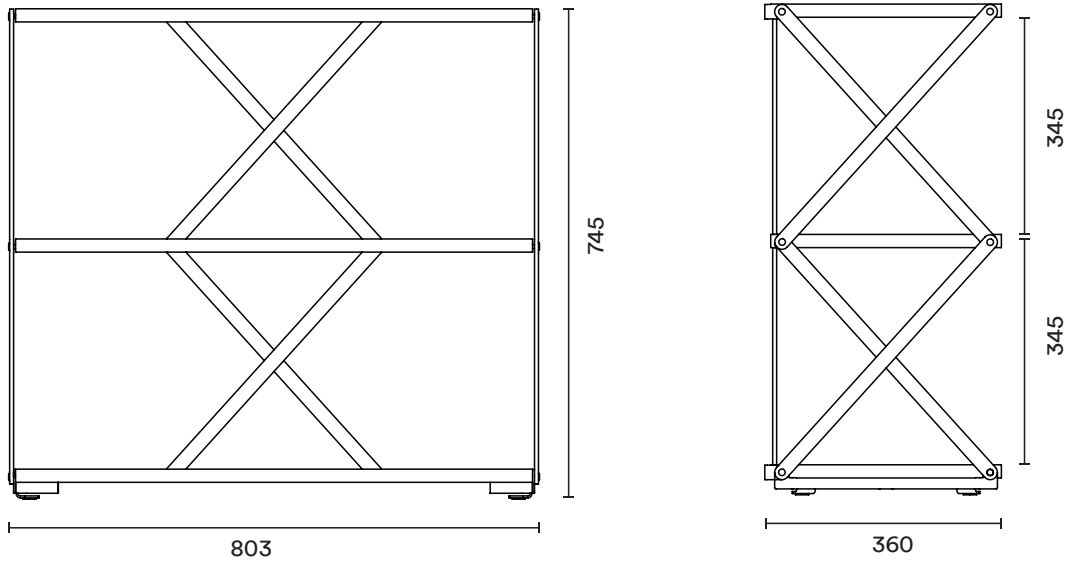


Lift 10



## Technical Specifications

Height Lift 3, 6, 9: 745mm; Height Lift 5, 10: 1490mm;  
Width Lift 3, 5: 803 mm; Width Lift 6, 10: 1606 mm; Width Lift 9: 2409 mm;  
Depth: 360 mm



## Materials and Colors

Solid ash boards  
Metal fittings (RAL 9005)



White



Black