

# Last Stool

by Max Lamb

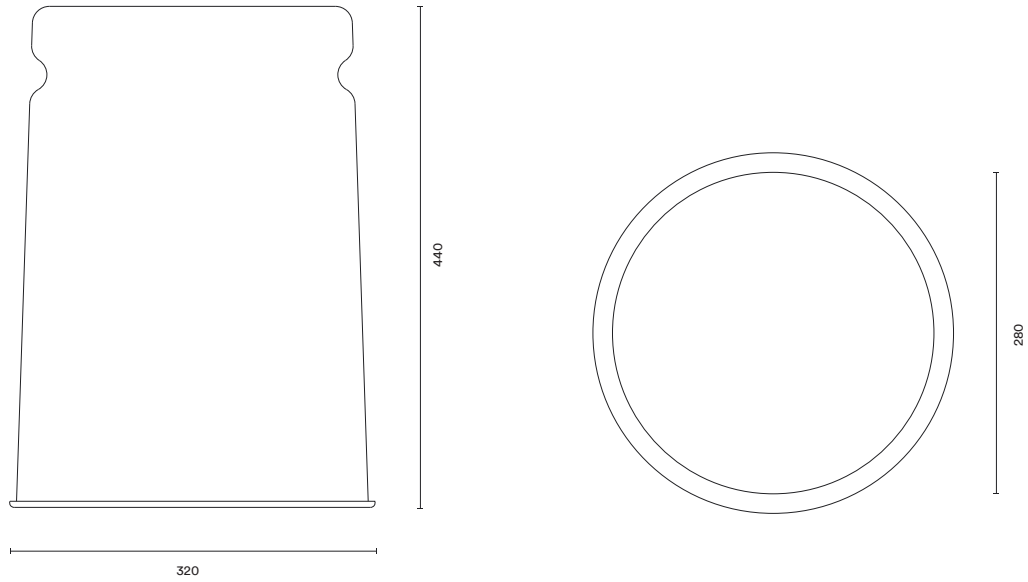
The Last stool was created by English industrial designer Max Lamb and shows his trademark economic, uncomplicated approach. Spun from a single sheet of brass or copper, the stool has a ribbed section to provide grip for easy lifting. Due to its polished finish, this stool will age beautifully over time to become a truly unique, patinated home objet d'art – elegant yet functional.



**hem**

## Technical Specifications

Dimensions: Height 440 mm; Seat diameter: Ø280 mm;  
Foot diameter: Ø320 mm;



## Materials and Colors

Enamelled Steel  
Produced in Italy and Poland

Polished metal  
Produced in Italy



Jet Black



Midnight Blue



Olive Green



Signal White



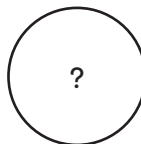
Copper



Brass



Light Yellow



Custom Color  
Request



White/Black



Green/Pink



White/Blue



White/Pink