

# Last Stool

by Max Lamb

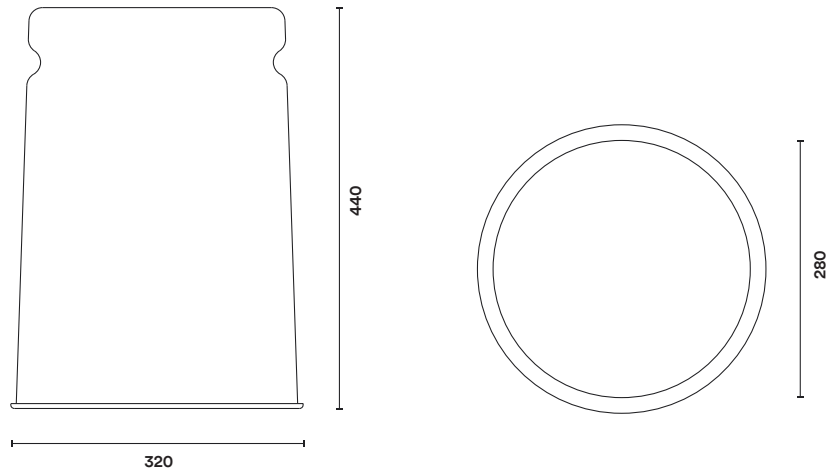
The Last stool was created by English industrial designer Max Lamb and shows his trademark economic, uncomplicated approach. Spun from a single sheet of brass or copper, the stool has a ribbed section to provide grip for easy lifting. Due to its polished finish, this stool will age beautifully over time to become a truly unique, patinated home objet d'art – elegant yet functional.



**hem**

# Technical Specifications

Dimensions: Height 440mm; Seat diameter: 280mm;  
Foot diameter: 320mm;



## Materials and Colors

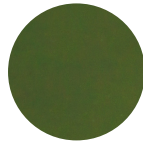
### Enamelled Steel



Jet Black



Midnight Blue



Olive Green



Light Yellow



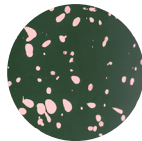
Signal White



White/Pink



White/Black



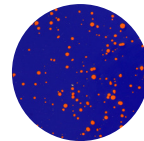
Green/Pink



White/Blue



Yellow/White



Blue/Orange

### Polished Metal



Copper



Brass