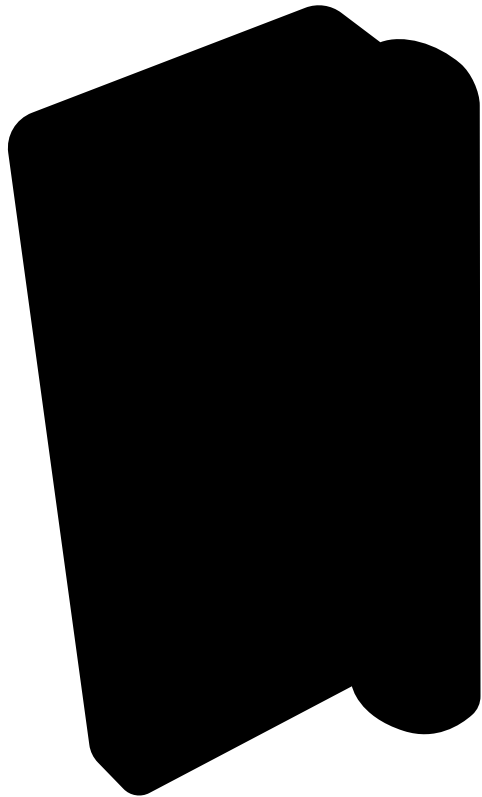


# **Kumo Single-seater Sofa with Armrests**



## **Assembly Instruction**

## Kumo Sofa

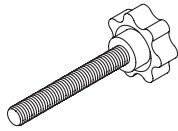
### *Most modular*

The Kumo Sofa system is built around an innovative metal frame onto which individual cushion components are added. This intelligent design from Anderssen & Voll makes Kumo especially convenient to live with—readily reconfigurable whenever and however you wish. Kumo is also efficient and responsible to ship thanks to the same quality: it dismantles easily. Like its namesake—Kumo means “cloud” in Japanese—this sofa is light and soft as well as clever, with generous, foam-filled cushions covered in a luxurious, highly textured woolen fabric as a final flourish.

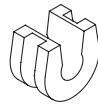
Parts



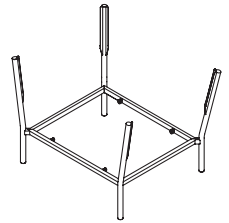
Knob



Screw



Plastic fitting



Single-seater with armrests frame

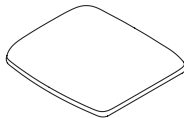


Side view

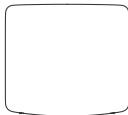


Top view

Armrest

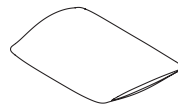


Side view



Top view

Seat



Side view

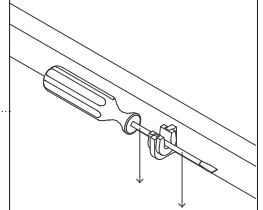
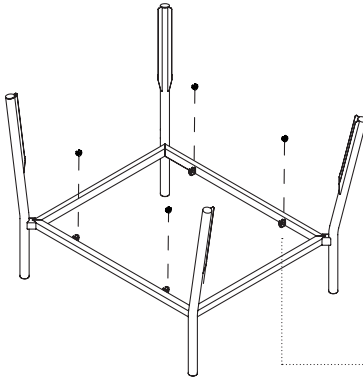


Top view

Lounge Chair Backrest

**Step 1**

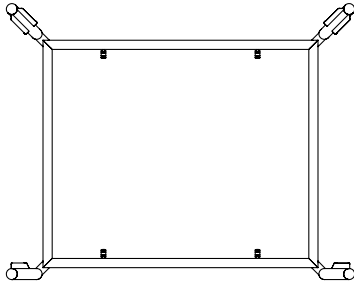
Starting with the single-seater frame, click in all the plastic fittings with the help of a screw driver, in case they're not in place.



**Step 2**

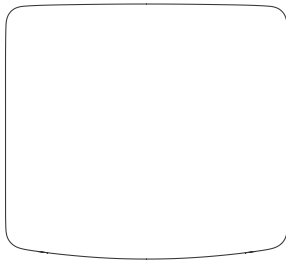
Your Kumo Single-seater Sofa should now look like this from the top.

Back



Front

Back



Front

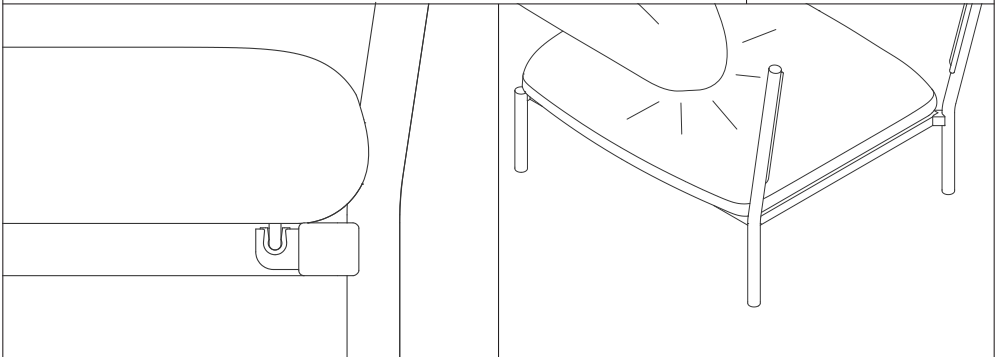
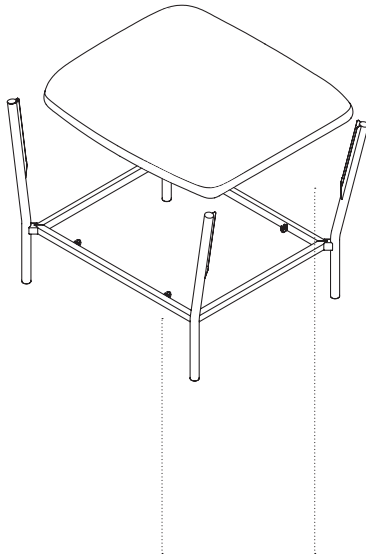
Next, get familiar with the direction of the seat cushion before continuing with step 3.

**Step 3**

Next, click the seat cushion into the frame.

When you hear a click sound, the cushion sits tightly in the frame. Use your knee for more force.

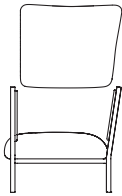
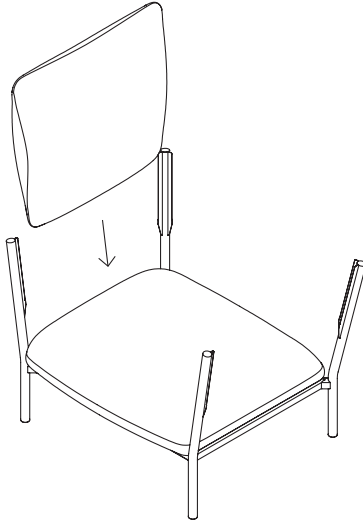
Double check, that you have clicked the seat in correctly and facing the right way.



**Step 4**

Start from left. Slide the first armrest cushion into the outside slots of the frame. Make sure that the cushion is placed correctly.

Next, slide the second armrest cushion at the opposite side into the outside slots of the frame.



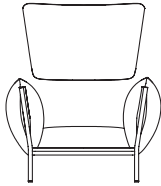
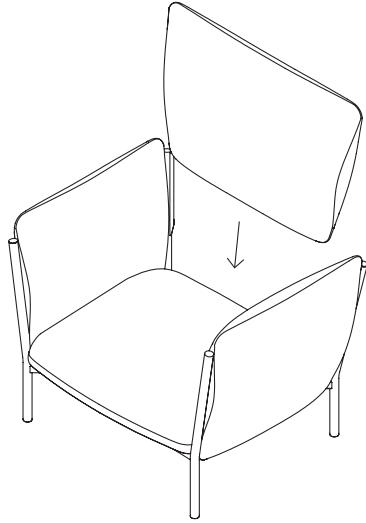
Correct



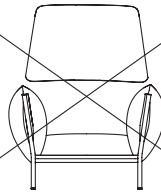
Incorrect

**Step 5**

After that, slide in the lounge chair backrest cushion.



Correct

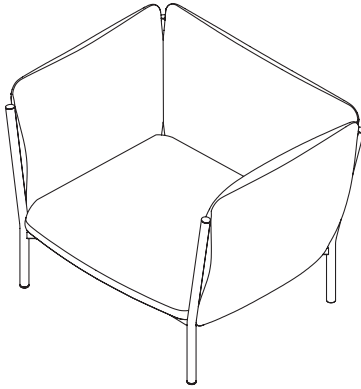


Incorrect



**Step 6**

Your Kumo Single-seater Sofa with Armrests is now ready assembled!







Should you have any problems assembling your product, contact us at [info@hem.com](mailto:info@hem.com). We're always happy to help!

# Hem