

# Koti Sofa

by Form Us With Love

Designed by Stockholm based studio Form Us With Love, the Koti sofa and ottoman are the ultimate design objects for comfortable lounging. Taking its name from the Finnish word "home" the Koti sofa is available in two versions:

The casual and contemporary stonewashed cotton in a soft colour selection, and the Dash textile, a luxurious three-dimensional knit of virgin wool blend specially developed in collaboration with the Dutch company Febrik, giving an extra layer of comfort and tactility.



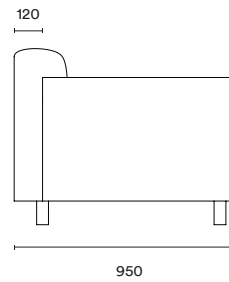
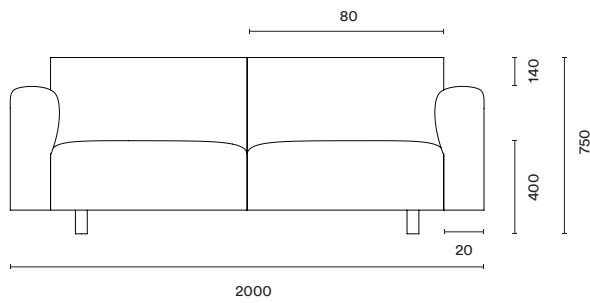
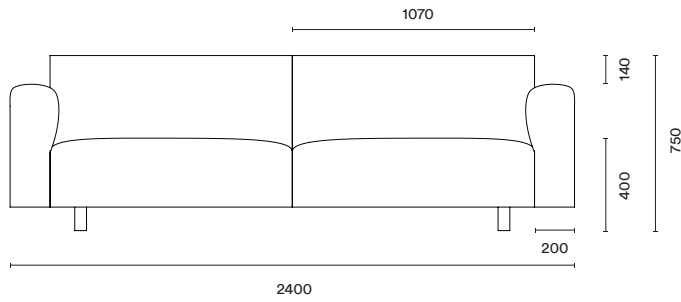
**hem**

## Technical Specifications

Load-bearing capacity: 150 kg

**Koti 2-Seater**  
L: 2000 x W: 950 x H: 750 mm

**Koti 3-Seater**  
L: 2400 x W: 950 x H: 750 mm



## Materials and Colors

Dash Upholstery:  
30% Wool, 10% Polyamide,  
15% Polyester, 45% Polyester filling

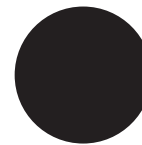
Powder Coated  
Steel Legs



Charcoal



Light Grey



Black  
(RAL 9005)