

# Kendo Bar Chair

by LucidiPevere

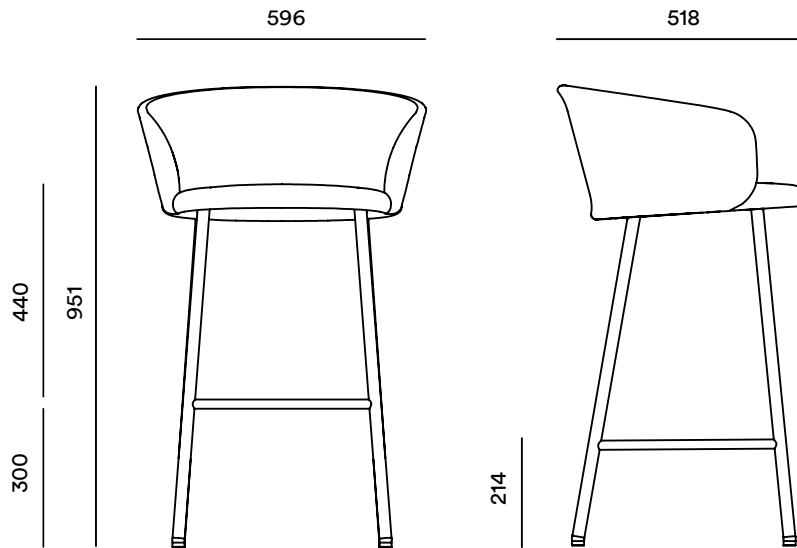
Kendo Bar Chair's smooth lines and outside grooves offer an elegant yet durable solution to both private and public spaces. Equipped with detachable metal legs for easy shipping and assembly, the chair is available in four sophisticated shades of upholstery made in Germany.



**hem**

## Technical Specifications

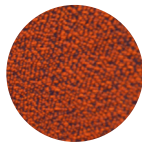
L: 518 x W: 596 x H: 951 mm;  
Seat height: 740 mm; Weight: 9.1 kg



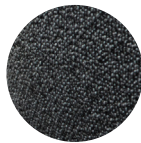
## Materials and Colors

Powder Coated Metal Legs

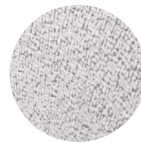
94% Virgin Wool, 6% Polyamide



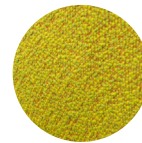
Canyon



Graphite



Porcelain



Tivoli