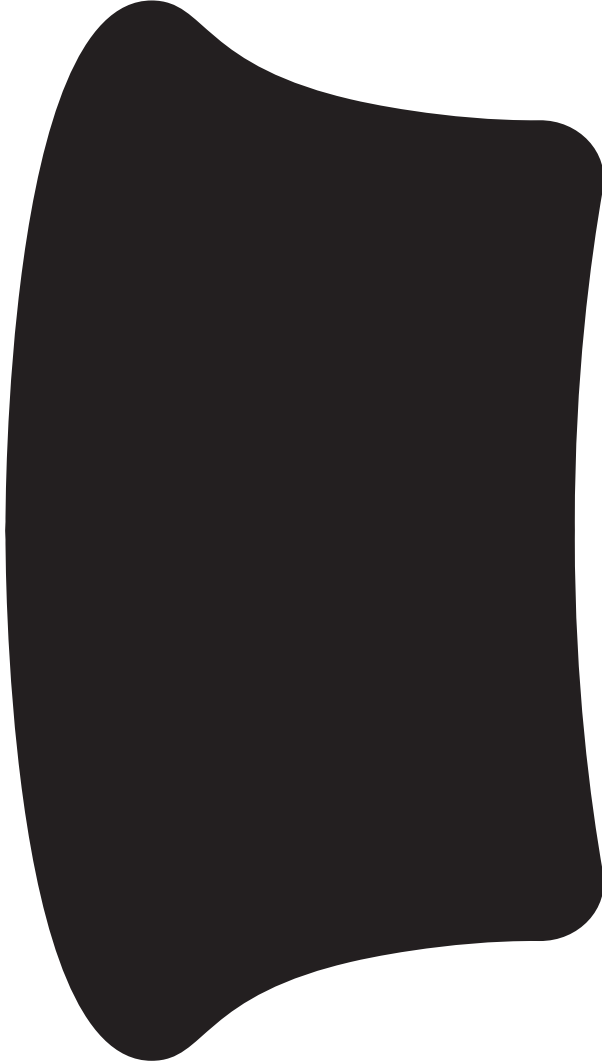


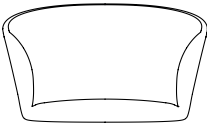
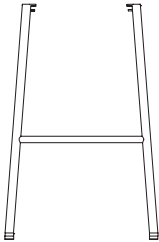
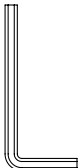
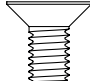
# Kendo Bar Chair



**Assembly  
Instruction**

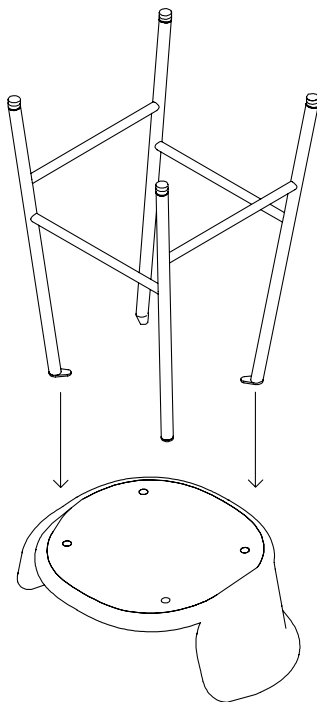
Kendo  
*Seating sanctuary*

The Kendo Chair's soft, wrap-around upper offers an appealingly ergonomic seating experience. Simultaneously protective and inviting, this design by LucidiPevere offers a shielding shape combined with a gentle embrace. The generous seat is wide and comfortable, allowing you to move freely, shift position, express yourself. Whether around a boardroom or a dining table, Kendo keeps you comfortable for long periods of time. Its sturdy welded frame makes this chair built to last. A barstool and bar chair complete the Kendo family.

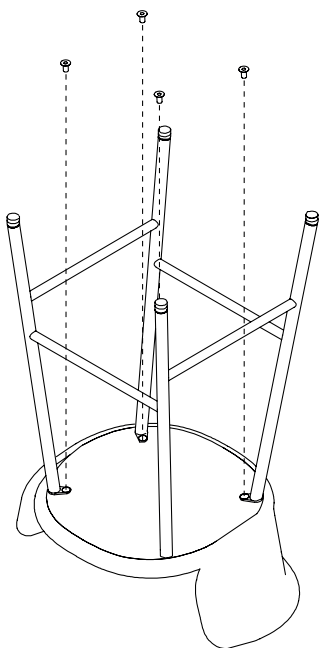
Parts			
			
4 × Pins	8 × Screws	8 × Washers	Locking hinge

**Step 1**

Turn the seat around and secure on a dry and clean surface. Carefully place the leg construction onto the dedicated holes on the seat. Make sure all holes align accurately.

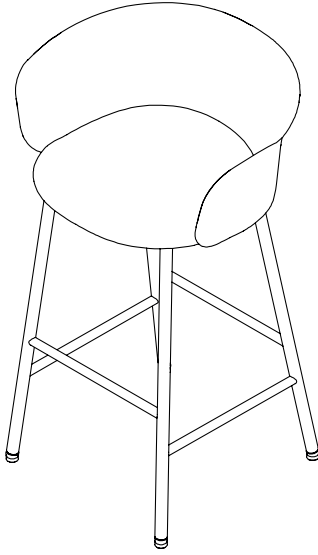
**Step 2**

With the allen key, screw in all eight screws into the holes. Start by tightening them all slightly, and afterwards tightening them fully.



**Step 3**

Your Kendo Bar Chair is now ready assembled.



Should you have any problems assembling your product, contact us at [info@hem.com](mailto:info@hem.com). We're always happy to help!

# Hem