

Touchwood

by Lars Beller Fjetland

Created from premium materials, Touchwood is a beautifully realised stacking chair. All chairs and stools are free of any extraneous components, born of Lars Beller Fjetland's belief that humans benefit from interaction with natural and simple materials. Touchwood is available in various sizes, colors and finishes, while preserving comfort and timelessness.

Touchwood Family overview

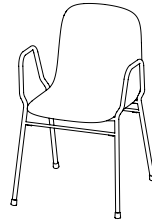
Touchwood Chair



Touchwood Chair



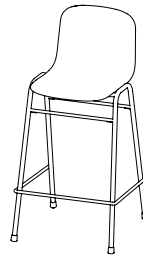
Touchwood Armchair



Touchwood Counter Stool



Touchwood Counter Chair



Touchwood Bar Stool



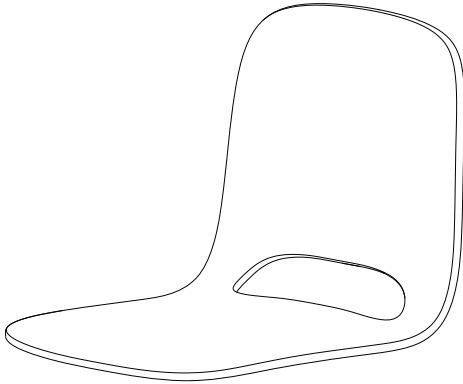
Touchwood Bar Chair



PLEASE NOTE:

The exact types and sizes of the parts in your package depend on the Touchwood variant you purchased.

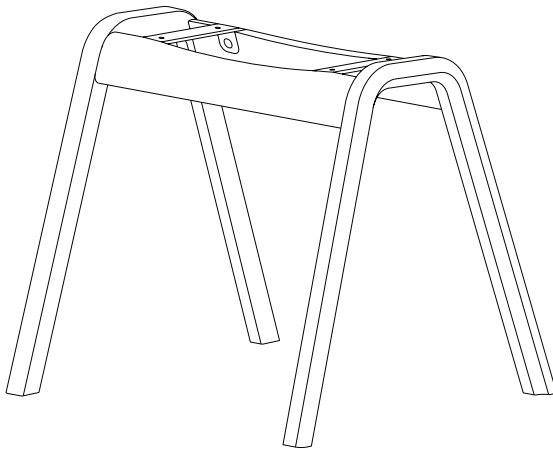
Packaging content



1 x seat



4 x screws

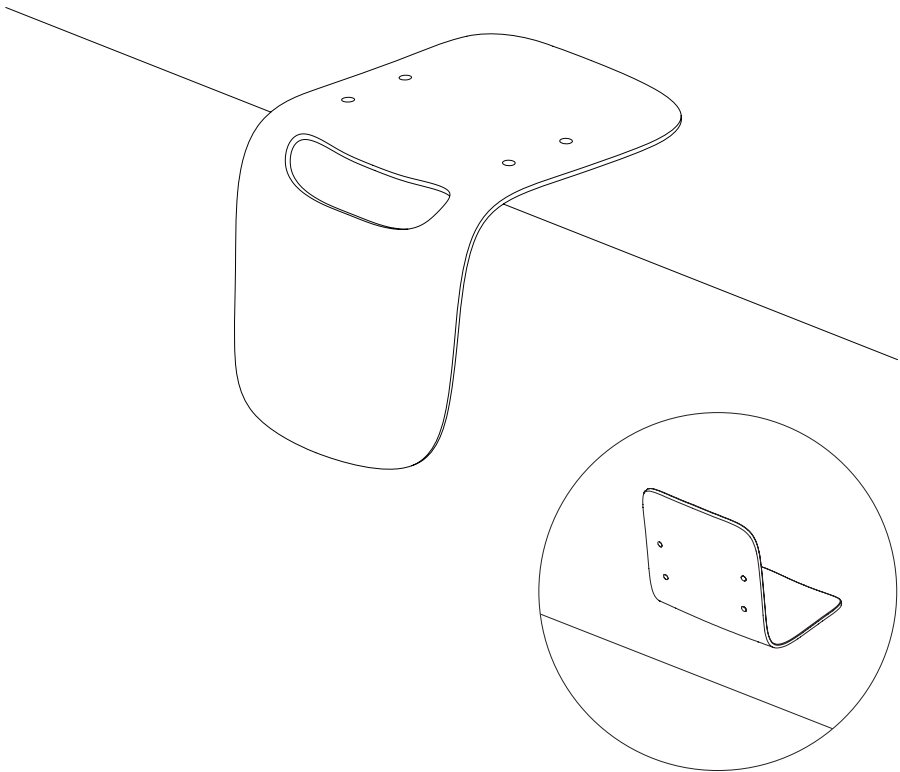


1 x legs

1

Turn the seat around and carefully place it on a clean and protected surface in order not to damage the seat.

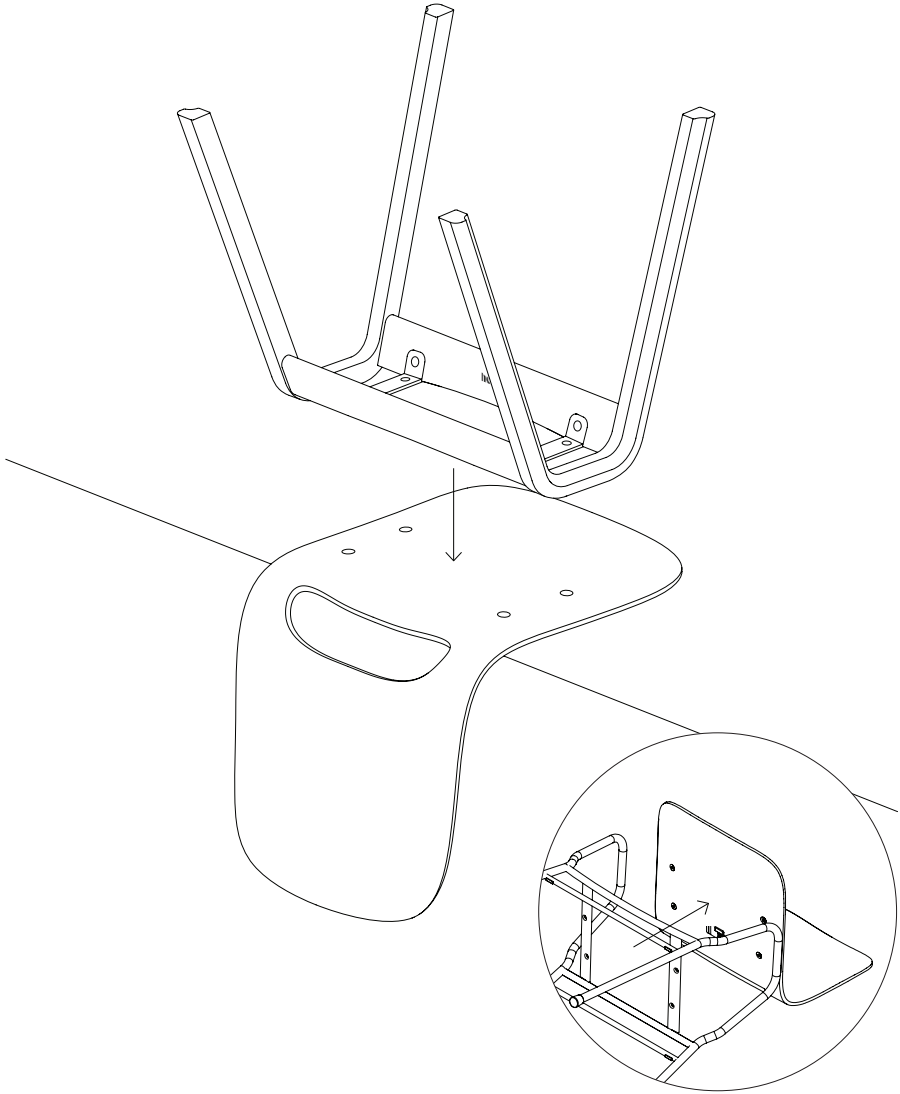
PLEASE NOTE: For the *Touchwood Metal Armchair* assembly, please place the seat on its backrest instead.



Touchwood Armchairs should be placed on its back.

2

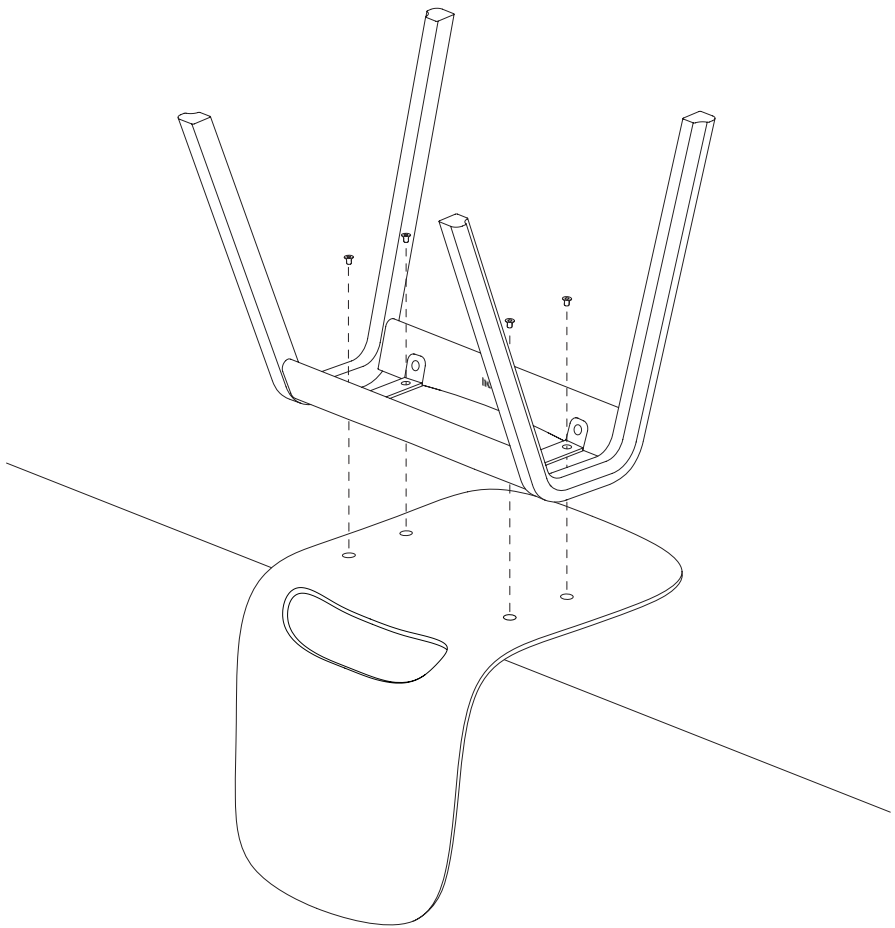
Turn the legs around, place them onto the seat and align all four holes.



On the Touchwood Armchairs you attach the legs horizontally.

3

Carefully insert and twist in the screws into the seat holes.
Start by fastening each screw half way. After that, tighten all of them firmly.



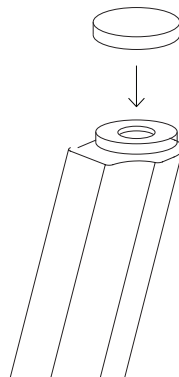
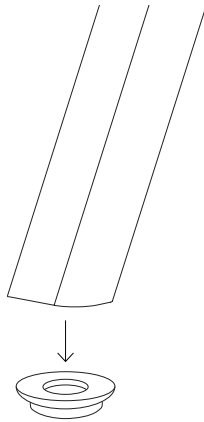
4

Turn your Touchwood around and place it on the floor. Have a seat!
Depending on use intensity, we recommend to check and eventually re-tighten
the screws every half-year to guarantee maximum longevity for the product.



Touchwood Chair with wooden legs:

For a better protection of sensitive floors, you have the option to switch the plastic gliders to felt gliders. Simply remove the plastic cap with a screwdriver and click on the new ones.



?

Should you have any problems assembling your
product, contact us at info@hem.com.

We're always happy to help!

hem

hem.com