

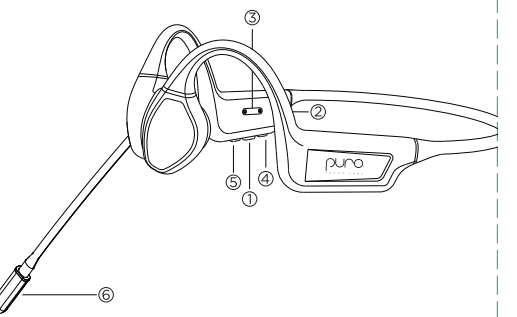


PuroFlex-Kids

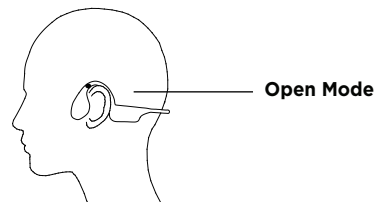
QUICK START

PRODUCT INTRODUCTION

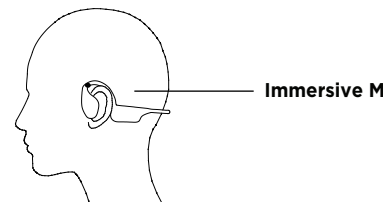
- 1 Multi-functional Button (Power/Play/Call/BT)
- 2 LED
- 3 Magnetic Charging Port
- 4 Volume Up
- 5 Volume Down
- 6 Microphone



HOW TO WEAR



Suitable for: running, office, fitness



Suitable for: noisy environments such as travel, markets, and outdoor

MULTI-FUNCTION BUTTON (MFB)

Function	Operation	Prompt
Power On	Press MFB for 2 sec	Power on
Power Off	Press MFB for 3 sec	Power off
Pairing	Press MFB for 5 sec	Pairing
Multi-Point Connection	1. Hold MFB for 5 sec 2. Connect device A 3. Turn off BT on device A 4. Hold MFB for 5 sec 5. Connect device B 5. Turn on BT of device A	Speech
Play / Pause	Press MFB once	
Reject Call	Press MFB for 1 sec	
Accept Call	Press MFB once	
Redial	Press MFB twice in standby mode	
End Call	Press MFB once	
Voice Assistant	Press MFB 3 times in standby mode	Beep
Answer 2nd call & end current call	Press MFB 2 sec	Tone
Low Latency On/Off	Press MFB 4 times in BT standby mode	Tone

+/- VOLUME KEY

Function	Operation	Prompt
Previous	Tap - key for 1s in music play	N/A
Next	Tap + key for 1s in music play	N/A
Volume +	Tap + once	N/A
Volume -	Tap - once	N/A
Reset	Enter pairing mode, tap + and - simultaneously for 3s	N/A

LED INDICATOR

Color	Function
Red blinks once every 3s	Battery low
Constant red	Charging
Constant blue	Charging complete
Blue blinks	Incoming call
Red and blue blink alternately	Pairing mode/ Multi-point connection
Blue blinks once every 5s	Connection successful

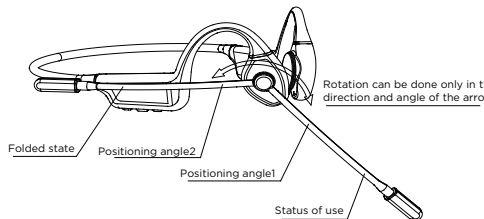
TO CHARGE HEADPHONES

Connect the charging cable to the magnetic port on the headset. The headphone will be fully charged within 2 hours.

Note: There are positive and negative poles corresponding to the magnetic charging. Mutual adsorption can charge normally. Mutual exclusion can not charge, which may cause short circuit of the main board circuit. Please do not force the magnetic suction to fit and contact.

MICROPHONE USE

Microphone only rotates 270 degrees in the direction and angle of the arrive in the picture below. When you can't rotate it, please rotate in opposite direction. Don't rotate vigorously to prevent damage.



SPECIFICATIONS

Product Type	Bone Conduction Headphones
Bluetooth Name	PuroFlex-Kids
Bluetooth Version	Bluetooth V5.3
Bluetooth Protocols	A2DP, AVRCP, HFP
Effective Range	32ft w/out obstruction
Frequency Response	20Hz-20kHz
Audio Code	SBC
Battery Capacity	180mA / 3.7V li-polymer
Standby Duration	6 hrs (100% Volume)
Charge Time	2 hrs
Input Voltage	5V
Speaker Sensitivity	85.5dB ± 3dB
Mic Sensitivity	-38dB ± 2dB
Waterproof Rating	IPX5
Weight	31g (1.09oz)

GUARANTEE & WARRANTY

Puro Sound Labs, LLC warrants the original owner of this product against manufacturing and material defects under normal use for a period of one year from the date of retail purchase from Puro Sound Labs or a Puro Sound Labs authorized reseller. The warranty does not cover damages resulting from misuse, abuse, water damage, normal wear or tear, or modification.

Warranty Claims:

Email our warranty team and be sure to include the order number from the purchase and the issue you are experiencing.

ORDER NUMBER: _____

Email: support@purosound.com

Phone: 1-888-590-PURO (7876)

FCC STATEMENT

This equipment has been tested and found to comply with the limits for a Class B digital device, pursuant to part 15 of the FCC Rules. These limits are designed to provide reasonable protection against harmful interference in a residential installation. This equipment generates uses and can radiate radio frequency energy and, if not installed and used in accordance with the instructions, may cause harmful interference to radio communications. However, there is no guarantee that interference will not occur in a particular installation. If this equipment does cause harmful interference to radio or television reception, which can be determined by turning the equipment off and on, the user is encouraged to try to correct the interference by one or more of the following measures:

- Reorient or relocate the receiving antenna.
- Increase the separation between the equipment and receiver.
- Connect the equipment into an outlet on a circuit different from that to which the receiver is connected.
- Consult the dealer or an experienced radio/TV technician for help.

FCC Caution: To assure continued compliance, any changes or modifications to this device not expressly approved by manufacturer could void your authority to operate this equipment.

This device complies with part 15 of the FCC Rules. Operation is subject to the following two conditions: (1) This device may not cause harmful interference, and (2) this device must accept any interference received, including interference that may cause undesired operation.

The device has been evaluated to meet general RF exposure requirement. The device can be used in portable exposure condition without restriction.

Declaration of Conformity for EU Countries

EMC Directive 2014/30/EU (including amendments)
Low Voltage Directive 2014/35/EU
RED Directive 2014/53/EU (if product has RF function)

WEEE Disposal instructions

Do not throw this electronic device into the trash when discarding to minimize pollution and ensure utmost protection of the global environment, please recycle it.