



Parkit360°

Technical Information

V1

Motor:

- Powerful 12 volt electric motor
- Robust American Bosch Design
- Permanent Magnet
- 1HP - 1.5HP motors
- 153-1 Planetary Gear Ratio

Power Source:

- 12 volt deep cycle battery (options to run power from your trailer battery supply to the Power Dolly System or load a battery on the unit)
- Power plant draws up to 45 amps under full torque

Frame:

- Ridgid 1/8" steel tubular frame, engineered to withstand the toughest abuse
- Computer designed
- Precision cut by laser
- Assembled with computer controlled welders
- Tough powder coating finish
- Proudly Built, Designed and Manufactured in Canada

Wheels:

- Solid stamped steel wheels specifically designed for our purpose to withstand up to 1100lbs. each (2200lbs. for the unit)

Tires:

- 2ply side wall and built to handle 750lbs. each
- All tire options / upgrades are 16.5" in diameter
- Solid rubber and Non Marking tires are also available! Please contact us for more details!

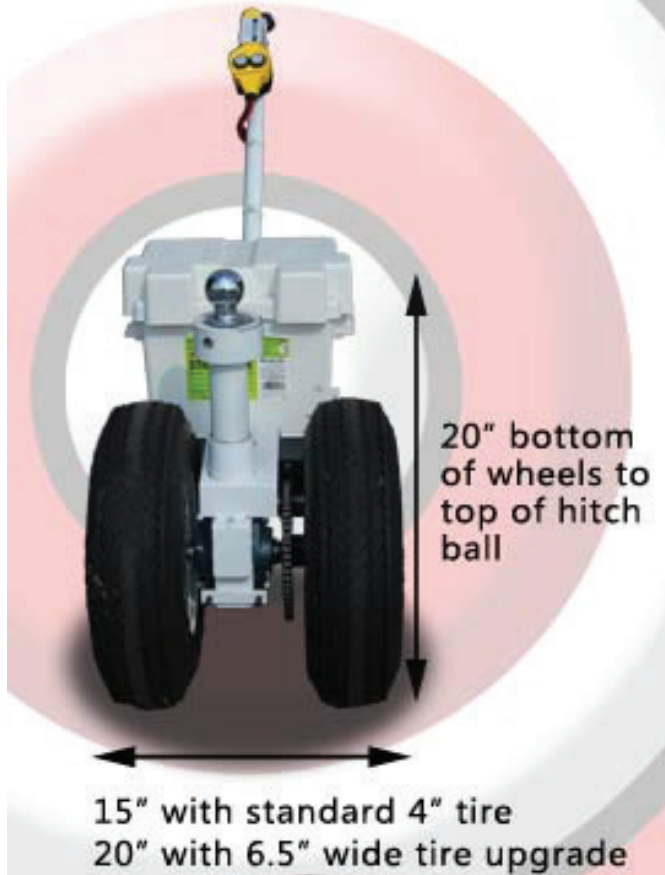
Weight:

- Weights in around 67lbs for most models!

Size:

- 15" wide with 4" standard tires
- 20" wide with 6.5" upgrade tires
- 20" High at the top of the ball (Can be reduced by simply cutting down the ball stand)
- 28" Long without standard handle installed

You can PARKIT ANYWHERE!



Parkit360[®]
The Power Trailer Dolly Company
1.888.926.5517
www.parkit360.com

The Easy to take it with you POWER DOLLY SYSTEM!

- Parkit360 is so light weight and compact that you can easily take it with you anywhere you go!
- No more back strains
- No more arguments with a spouse who's Right and who's Left!
- No more waiting for the neighbor to move their vehicle
- Park you valuable trailer tongue end first and keep would be thieves from stealing it