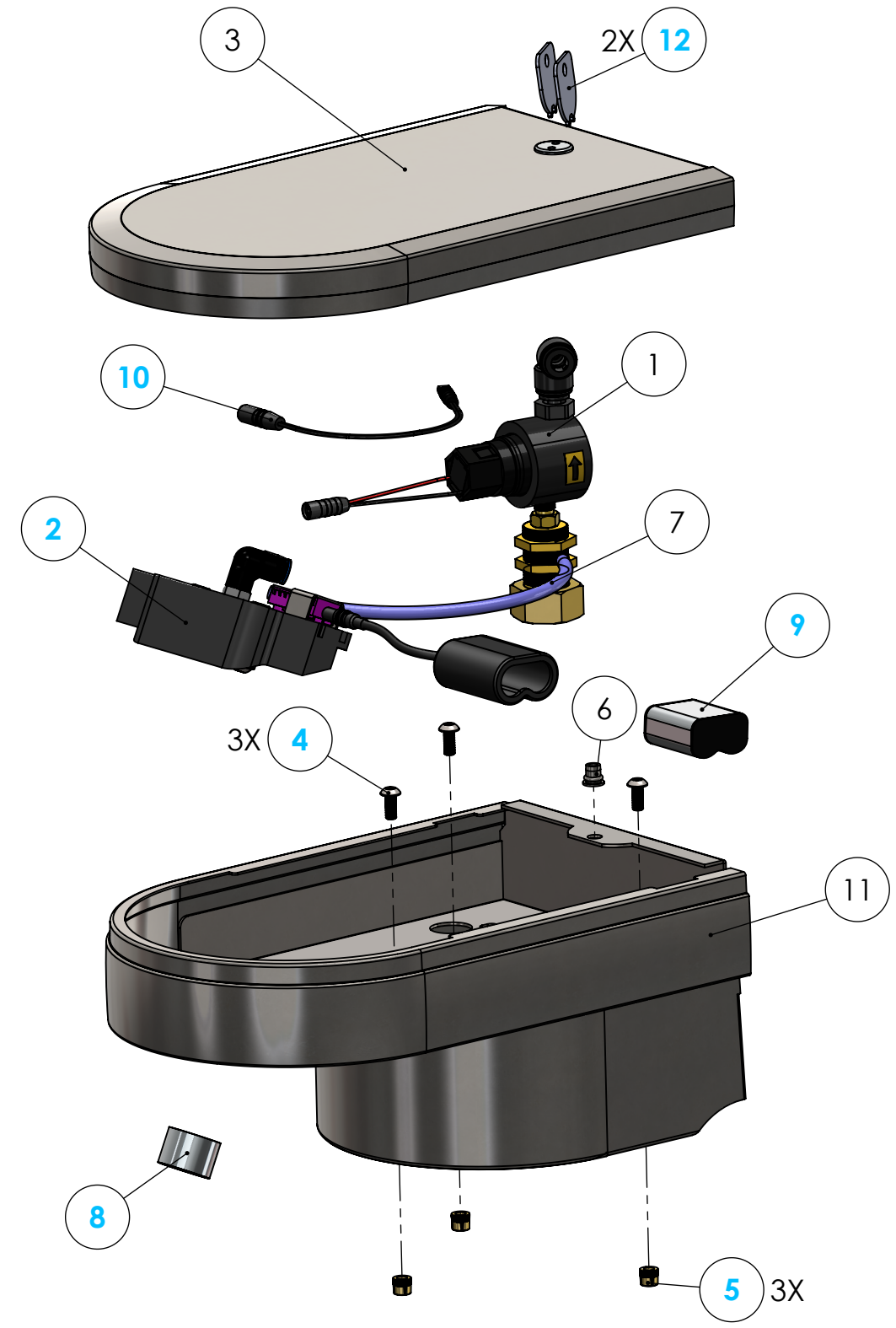


4

3

2

1



ITEM NO.	PART NUMBER	DESCRIPTION	QTY.
1	PSE1804M6NS	Saniwave Sensor Valve Assembly - No Soap	1
2	SFCAS	Sensor Cassette Assembly for Sanifount/Solidwave/Saniwave	1
3	SWHEADLID	Lid for Saniwave/Solidwave Head	1
4	P2030	M5-.8 x 12 Button Head Socket	3
5	P2106	Anchor Insert M6 x 12	3
6	P2116	TUBTARA M5 X 0,8 UPO 30 INOX	1
7	P2788	PA Water Tube Blue M6	1
8	P2929	0.5 gpm aerator	1
9	P3103	CR-P2 6V Battery	1
10	P35066	Jumper Cable 1000 mm (RR M-F)	1
11	P457020	Shell for Sensor Saniwave Head	1
12	P498210	Key for AquaDesign Locks	2

1. The SFCAS assembly can be found in PR-22010
2. 3 x P2106 inserts will need to be assembled into the bowl of the fixtures

Request for Change

Name	Date
Change Requested	

	UNLESS OTHERWISE SPECIFIED:	NAME	DATE	TITLE:
	DIMENSIONS ARE IN INCHES TOLERANCES: FRACTIONAL ± ANGULAR: MACH ± BEND ± TWO PLACE DECIMAL ± THREE PLACE DECIMAL ±	DRAWN	WH	
PROPRIETARY AND CONFIDENTIAL THE INFORMATION CONTAINED IN THIS DRAWING IS THE SOLE PROPERTY OF PSD LLC. ANY REPRODUCTION IN PART OR AS A WHOLE WITHOUT THE WRITTEN PERMISSION OF PSD LLC IS PROHIBITED.	INTERPRET GEOMETRIC TOLERANCING PER:	CHECKED		Sensor Saniwave Head
	MATERIAL Assembly	MFG CHK		
	FINISH	File Location:		SIZE
	DO NOT SCALE DRAWING	COMMENTS:		B DWG. NO. WHEAD
				SCALE: 1:10 WEIGHT: SHEET 1 OF 1
				REV 001

4

3

2

1

B

B

A

A