

4

3

2

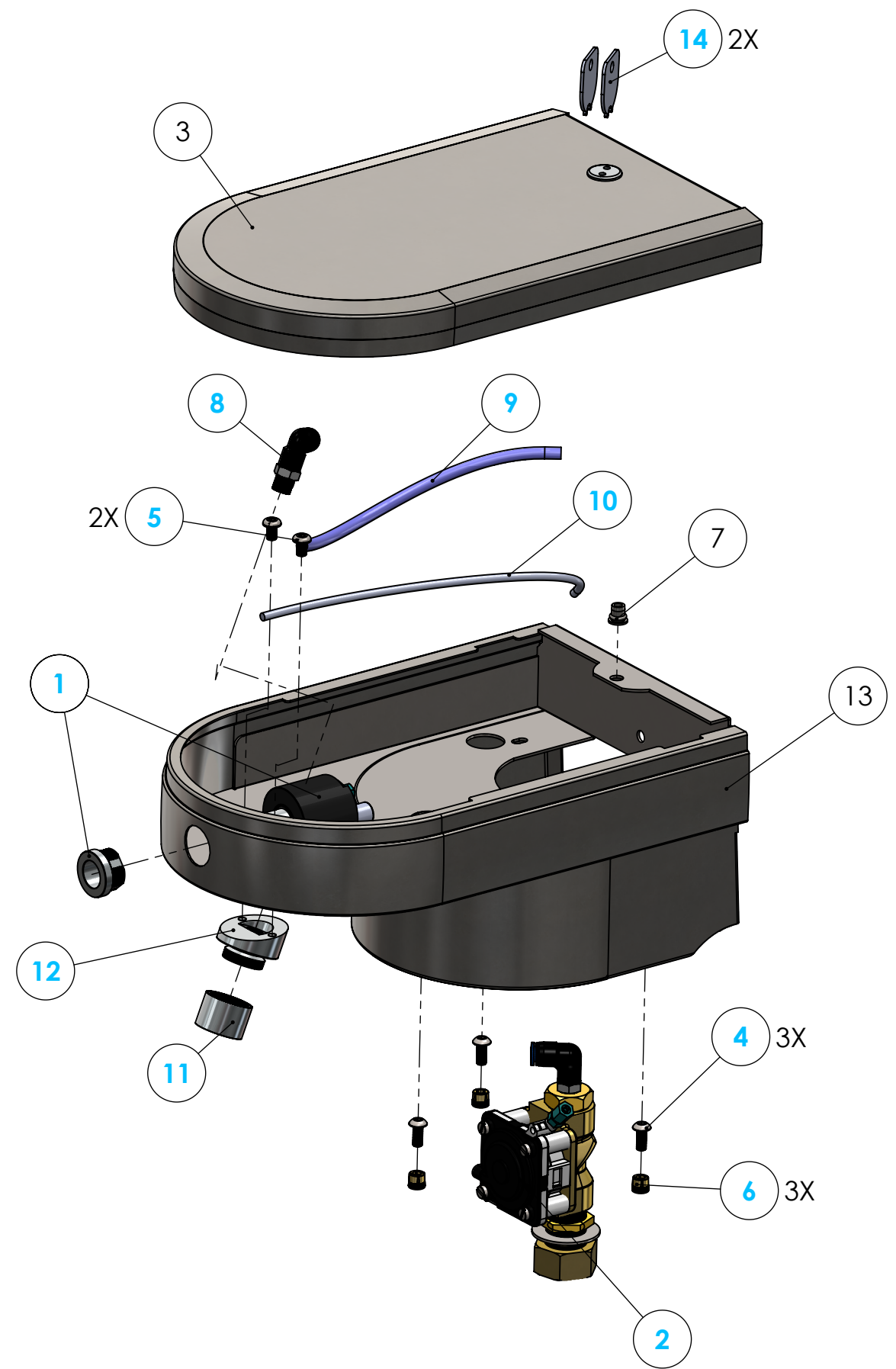
1

B

B

A

A



ITEM NO.	PART NUMBER	DESCRIPTION	QTY.
1	PBSWWATER	Pushbutton for Solidwave/Saniwave Head	1
2	RKSW	Valve Assembly for Pushbutton Saniwave/Solidwave Head	1
3	SWHEADLID	Lid for Saniwave/Solidwave Head	1
4	P2030	M5-.8 x 12 Button Head Socket	3
5	P2032	Screw LBKS M5 x 8 - Stainless	2
6	P2106	Anchor Insert M6 x 12	3
7	P2116	TUBTARA M5 X 0,8 UPO 30 INOX	1
8	P2470	Quick Connect 6 mm Water Tube Elbow	1
9	P2788	PA Water Tubing 6 mm	1
10	P2869	Air Tubing	1
11	P2929	0.5 gpm aerator	1
12	P2939	Sanifount IH Nozzle Adaptor	1
13	P457510	Shell for Pushbutton Saniwave Head (Water)	1
14	P498210	Key for AquaDesign Locks	2

Request for Change

Name _____ Date _____

Change Requested _____

PROPRIETARY AND CONFIDENTIAL

THE INFORMATION CONTAINED IN THIS DRAWING IS THE SOLE PROPERTY OF PSD LLC. ANY REPRODUCTION IN PART OR AS A WHOLE WITHOUT THE WRITTEN PERMISSION OF PSD LLC IS PROHIBITED.

UNLESS OTHERWISE SPECIFIED:	NAME	DATE
DIMENSIONS ARE IN INCHES	DRAWN	WH
TOLERANCES:	CHECKED	4/12/2022
FRACTIONAL ±	MFG CHK	
ANGULAR: MACH ± BEND ±		
TWO PLACE DECIMAL ±	File Location:	
THREE PLACE DECIMAL ±		
INTERPRET GEOMETRIC TOLERANCING PER:		
MATERIAL	Assembly	
FINISH	COMMENTS:	
DO NOT SCALE DRAWING		

TITLE:		
Saniwave Water Only Pushbutton Head		
SIZE	DWG. NO.	REV
B	SWHEADMAN	001
SCALE: 1:10	WEIGHT:	SHEET 1 OF 1

4

3

2

1