

4

3

2

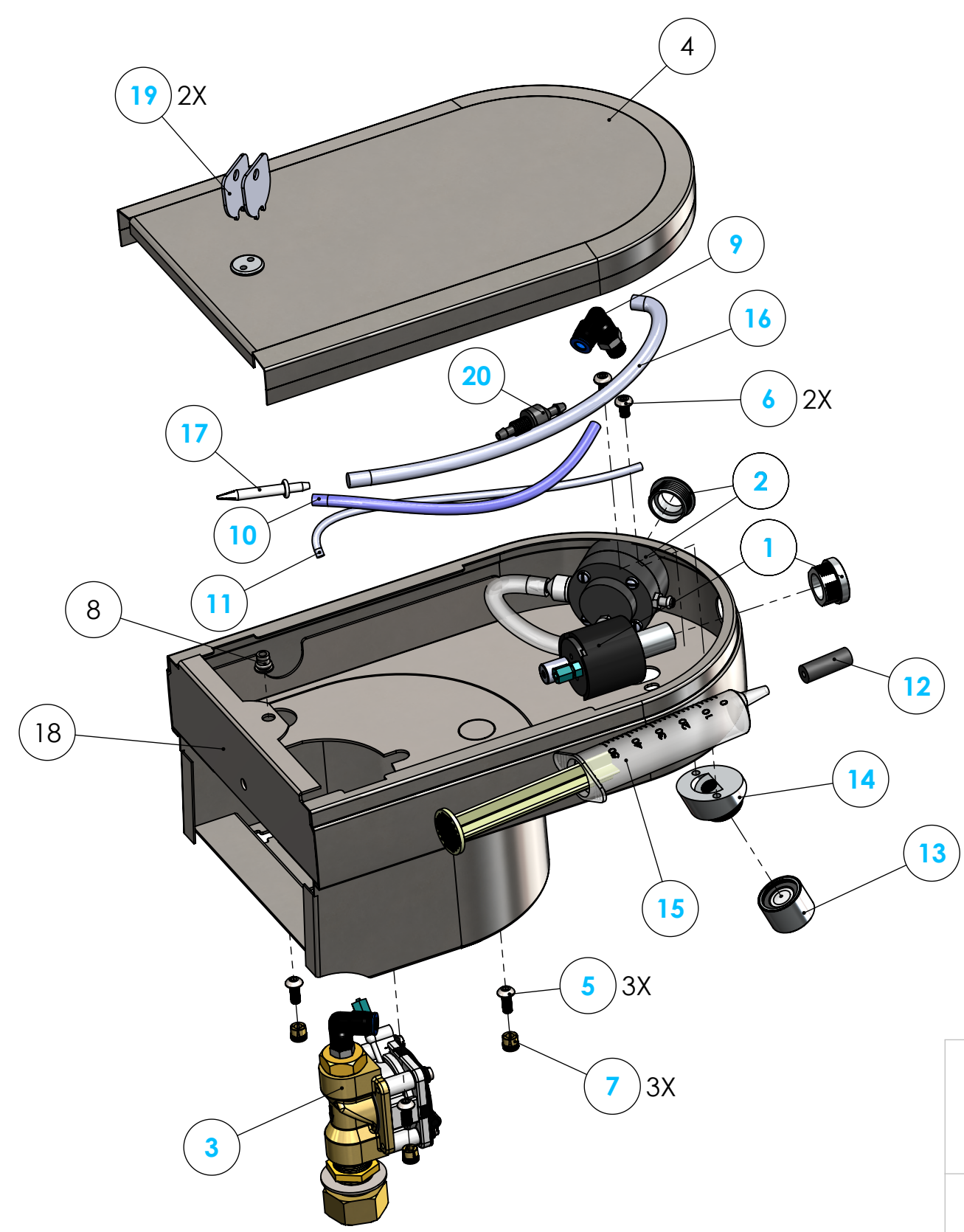
1

B

B

A

A



ITEM NO.	PART NUMBER	DESCRIPTION	QTY.
1	PBSWWATER	Pushbutton for Solidwave/Saniwave Head	1
2	PBSOAP	Soap Pushbutton Sanifount	1
3	RKSW	Valve Assembly for Pushbutton Saniwave/Solidwave Head	1
4	SWHEADLID	Lid for Saniwave/Solidwave Head	1
5	P2030	M5-.8 x 12 Button Head Socket	3
6	P2032	Screw LBKS M5 x 8 - Stainless	2
7	P2106	Anchor Insert M6 x 12	3
8	P2116	TUBTARA M5 X 0,8 UPO 30 INOX	1
9	P2470	Quick Connect 6 mm Water Tube Elbow	1
10	P2788	PA Water Tubing 6 mm	1
11	P2869	Air Tubing	1
12	P2894	Rubber for Soap Syringe	1
13	P2929	0.5 gpm aerator	1
14	P2939	Sanifount IH Nozzle Adaptor	1
15	P3015	Syringe	1
16	P3021	Soap Tubing	1
17	P3022	Needle for Soap Bag	1
18	P457520	Shell for Pushbutton Saniwave Head (Water and Soap)	1
19	P498210	Key for AquaDesign Locks	2
20	SPCHV-B	Black Soap Check Valve	1

Request for Change

Name _____ Date _____

Change Requested _____

PROPRIETARY AND CONFIDENTIAL

THE INFORMATION CONTAINED IN THIS DRAWING IS THE SOLE PROPERTY OF PSD LLC. ANY REPRODUCTION IN PART OR AS A WHOLE WITHOUT THE WRITTEN PERMISSION OF PSD LLC IS PROHIBITED.

UNLESS OTHERWISE SPECIFIED:		NAME	DATE
DIMENSIONS ARE IN INCHES		DRAWN	WH 4/13/2022
TOLERANCES:		CHECKED	
FRACTIONAL ±		MFG CHK	
ANGULAR: MACH ± BEND ±			
TWO PLACE DECIMAL ±			
THREE PLACE DECIMAL ±			
INTERPRET GEOMETRIC TOLERANCING PER:		File Location:	
MATERIAL			
FINISH		COMMENTS:	
DO NOT SCALE DRAWING			

TITLE:
Saniwave Pushbutton Water and Soap Head

SIZE **B** DWG. NO. SWHEADMAN L REV 001

SCALE: 1:10 WEIGHT: SHEET 1 OF 1