

4

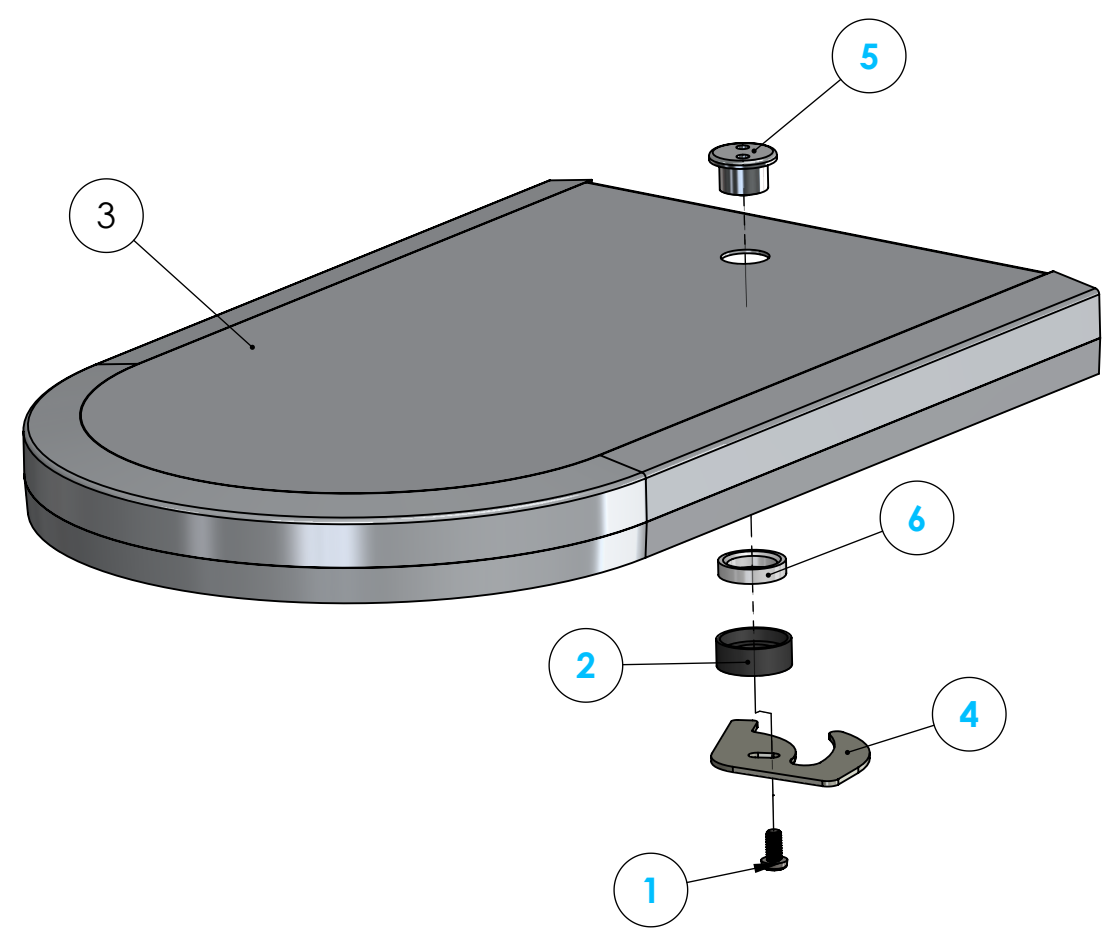
3

2

1

B

B



| ITEM NO. | PART NUMBER | DESCRIPTION   | QTY. |
|----------|-------------|---|------|
| 1        | P2003       | M4-.7 x 8 Cheese Head Slotted Stainless Machine Screw | 1    |
| 2        | P2876       | Rubber O-ring Seal for Lock                           | 1    |
| 3        | P457010     | Lid for Solidwave/Saniwave                            | 1    |
| 4        | P457030     | Lock Lever for Solidwave/Saniwave Head                | 1    |
| 5        | P498190     | Lock Holder   | 1    |
| 6        | P498200     | Lock Ring   | 1    |

### Request for Change

Name \_\_\_\_\_ Date \_\_\_\_\_

Change Requested

TITLE:  
**Lid for Saniwave Head**

|                  |                       |              |
|------------------|-----------------------|--------------|
| SIZE<br><b>B</b> | DWG. NO.<br>SWHEADLID | REV<br>001   |
| SCALE: 1:5       | WEIGHT:               | SHEET 1 OF 1 |

|   |   |                |              |
|---|---|----------------|--------------|
|   | UNLESS OTHERWISE SPECIFIED:   | NAME           | DATE         |
|   | DIMENSIONS ARE IN INCHES<br>TOLERANCES:<br>FRACTIONAL ±<br>ANGULAR: MACH ± BEND ±<br>TWO PLACE DECIMAL ±<br>THREE PLACE DECIMAL ± | DRAWN          | WH 11/8/2021 |
| <b>PROPRIETARY AND CONFIDENTIAL</b><br><br>THE INFORMATION CONTAINED IN THIS DRAWING IS THE SOLE PROPERTY OF PSD LLC. ANY REPRODUCTION IN PART OR AS A WHOLE WITHOUT THE WRITTEN PERMISSION OF PSD LLC IS PROHIBITED. | INTERPRET GEOMETRIC TOLERANCING PER:  | CHECKED        |              |
|   | MATERIAL  | MFG CHK        |              |
|   | FINISH  | File Location: |              |
| DO NOT SCALE DRAWING  | COMMENTS:   |                |              |

4

3

2

1

A

A