

4

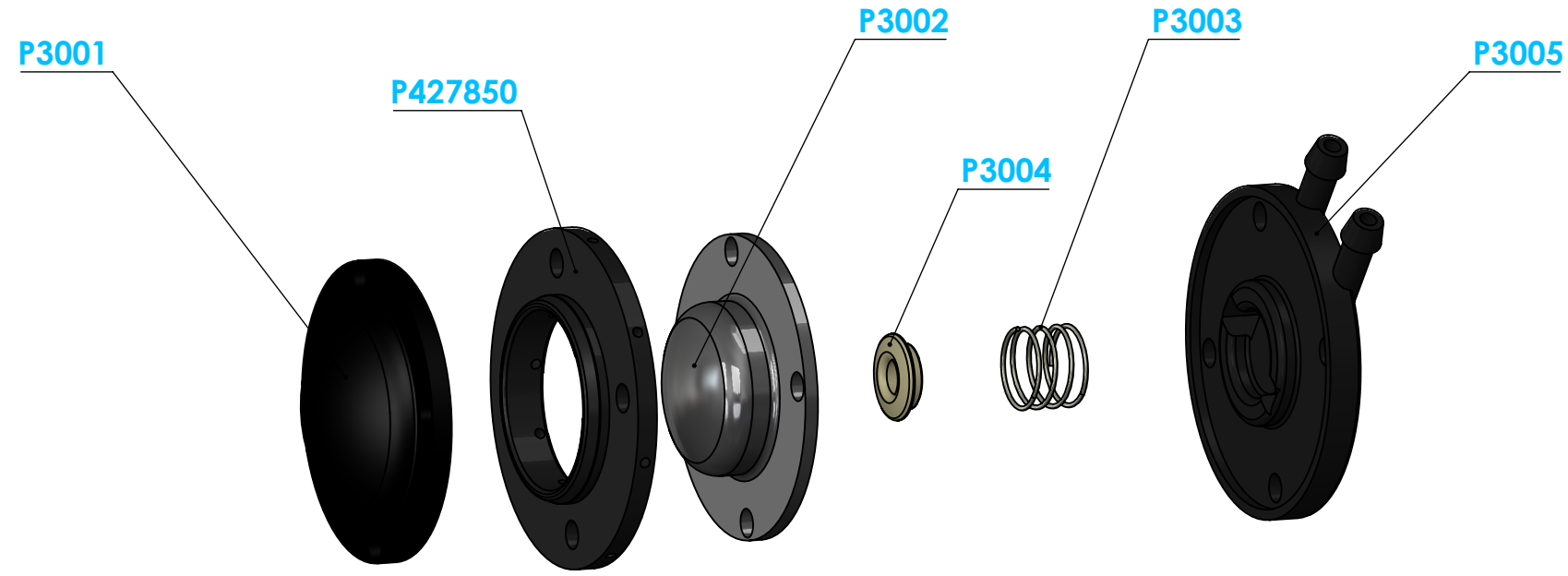
3

2

1

B

B




A

A

PART NUMBER	DESCRIPTION	QTY.
P3001	Rubber membrane water	1
P3002	Soap diaphragm valve	1
P3003	Spring for soap pump	1
P3004	Spring protector soap diaphragm	1
P3005	Soap valve lid	1
P427850	Black soap valve seal	1

Request for Change

Name	Date
Change Requested	



UNLESS OTHERWISE SPECIFIED:		NAME	DATE
DIMENSIONS ARE IN INCHES		DRAWN	WH
TOLERANCES:		CHECKED	8/5/2021
FRACTIONAL ±		MFG CHK	
ANGULAR: MACH ±	BEND ±		
TWO PLACE DECIMAL ±			
THREE PLACE DECIMAL ±			

PROPRIETARY AND CONFIDENTIAL

INTERPRET GEOMETRIC TOLERANCING PER: Assembly

MATERIAL

FINISH

DO NOT SCALE DRAWING

TITLE:		
Soap Repair Kit for One-Shot Soap		
SIZE	DWG. NO.	REV
B	SPRK	100
SCALE: 1:2	WEIGHT:	SHEET 1 OF 1