

4

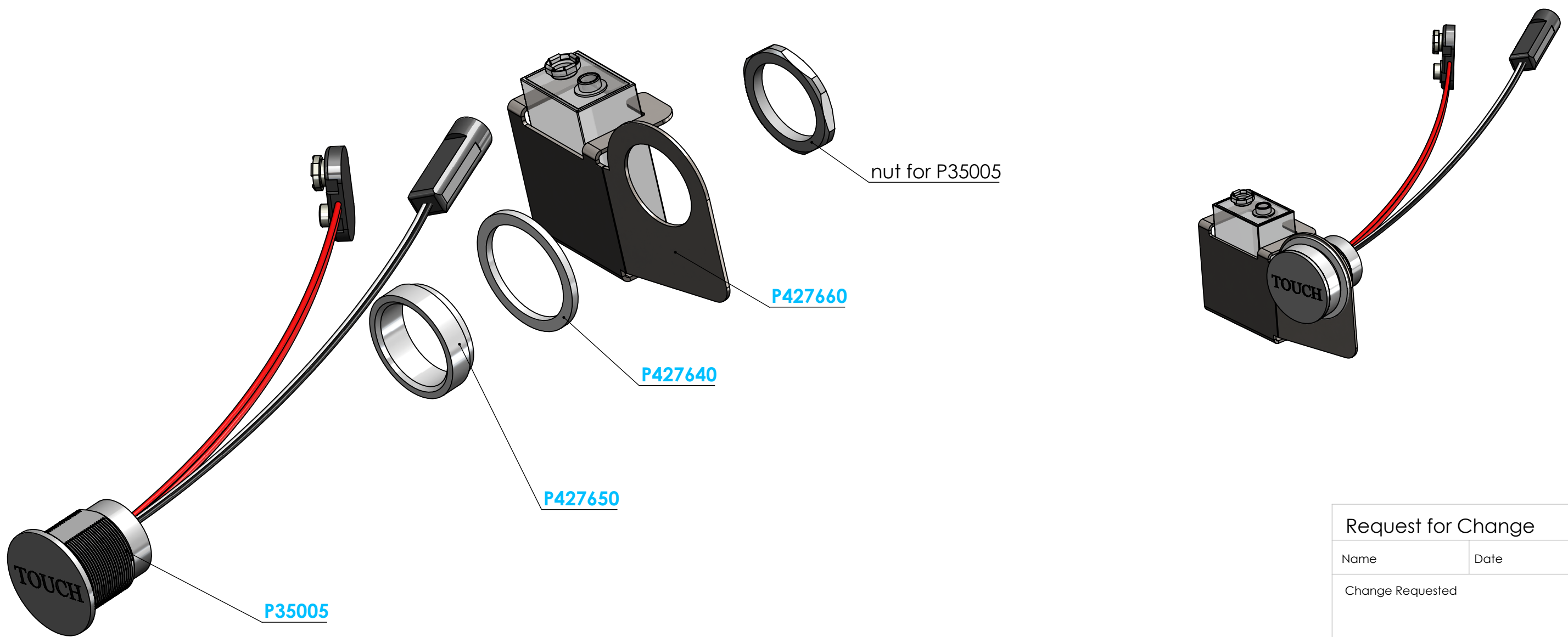
3

2

1

B

B



Request for Change

Name	Date
------	------

Change Requested

PART NUMBER	DESCRIPTION	QTY.
P35005	9V piezo button with 9v connector	1
P427640	Large washer for piezo button	1
P427650	Outside piezo button ring	1
P427660	Battery holder piezo button	1



PROPRIETARY AND CONFIDENTIAL

THE INFORMATION CONTAINED IN THIS DRAWING IS THE SOLE PROPERTY OF PSD LLC. ANY REPRODUCTION IN PART OR AS A WHOLE WITHOUT THE WRITTEN PERMISSION OF PSD LLC IS PROHIBITED.

UNLESS OTHERWISE SPECIFIED:		NAME	DATE
DIMENSIONS ARE IN INCHES		DRAWN	WH
TOLERANCES:		CHECKED	08/05/21
FRACTIONAL ±		MFG CHK	
ANGULAR: MACH ± BEND ±			
TWO PLACE DECIMAL ±			
THREE PLACE DECIMAL ±			
INTERPRET GEOMETRIC TOLERANCING PER:		File Location:	
MATERIAL		N:\Procedures\2021\21-Sanispray\Solidworks Parts Drawings\	
FINISH		COMMENTS:	
DO NOT SCALE DRAWING			

TITLE: PR-21350		
Piezo Button Assembly for Sanispray		
SIZE	DWG. NO.	REV
B	PR21350-SPRAYPZBUT	100
SCALE: 1:1 WEIGHT: 0.0623 SHEET 1 OF 1		

4

3

2

1

A

A