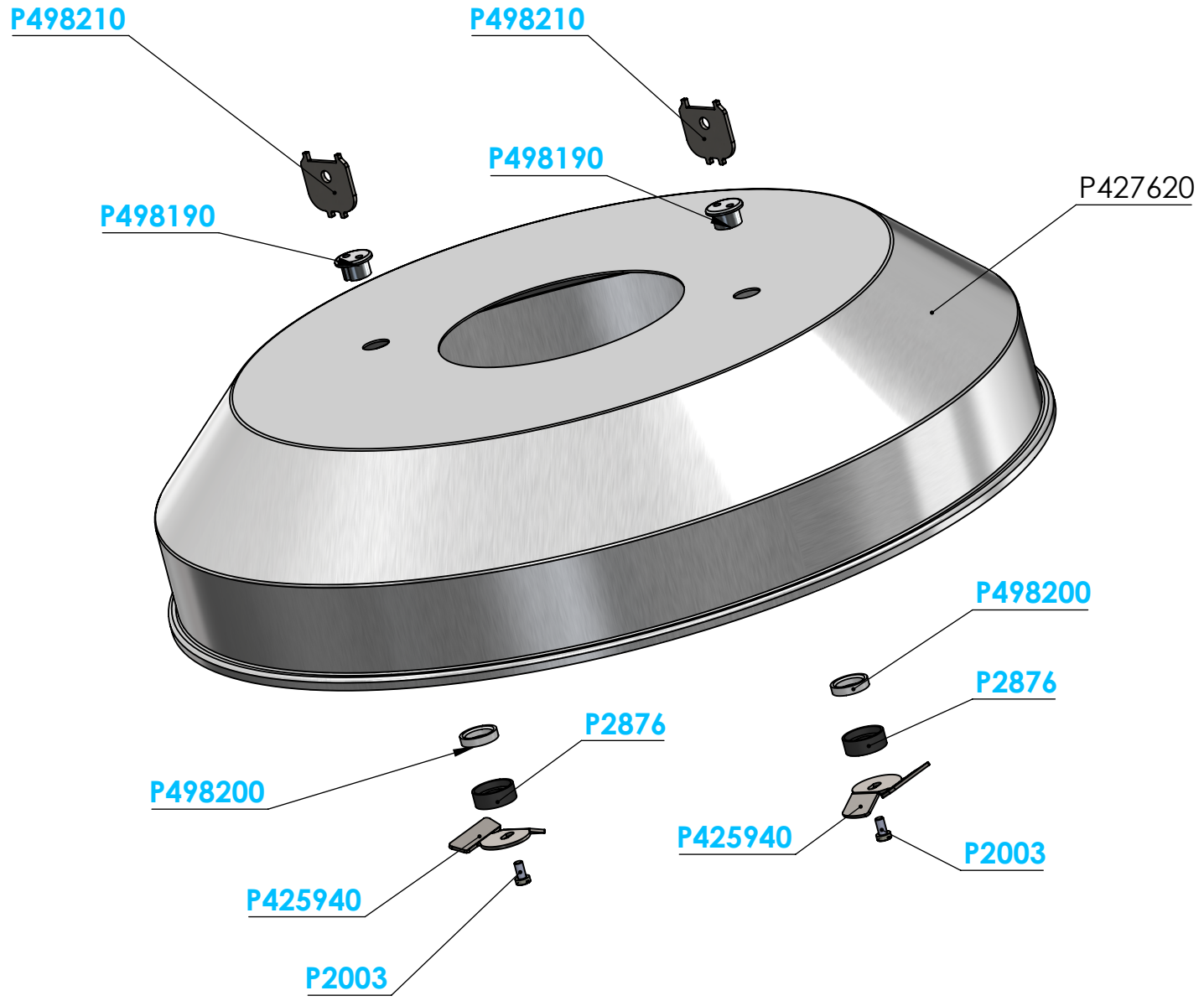


4

3

2

1



PART NUMBER	DESCRIPTION	QTY.
P2003	M4-.7 x 8 Cheese Head Slotted Screw	2
P2876	Ring seal for lock	2
P425940	Lock Holder	2
P427620	Lid for Individual Sanispray	1
P498190	Lock	2
P498200	Lock Comb	2
P498210	Key for Water Distribution Heads	2

Request for Change

Name	Date
------	------

Change Requested

PROPRIETARY AND CONFIDENTIAL

THE INFORMATION CONTAINED IN THIS DRAWING IS THE SOLE PROPERTY OF PSD LLC. ANY REPRODUCTION IN PART OR AS A WHOLE WITHOUT THE WRITTEN PERMISSION OF PSD LLC IS PROHIBITED.

UNLESS OTHERWISE SPECIFIED:		NAME	DATE
DIMENSIONS ARE IN INCHES		DRAWN	WH
TOLERANCES:		CHECKED	07/27/21
FRACTIONAL: ±		MFG CHK	
ANGULAR: MACH ± BEND ±			
TWO PLACE DECIMAL ±			
THREE PLACE DECIMAL ±			
INTERPRET GEOMETRIC TOLERANCING PER:		File Location:	
MATERIAL			
FINISH		COMMENTS:	
DO NOT SCALE DRAWING			

TITLE:
Lid for Sanispray Distribution Heads

SIZE	DWG. NO.	REV
B	PR21045-SPRAYLID	100
SCALE: 1:3	WEIGHT:	SHEET 1 OF 1

4

3

2

1

B

B

A

A