

4

3

2

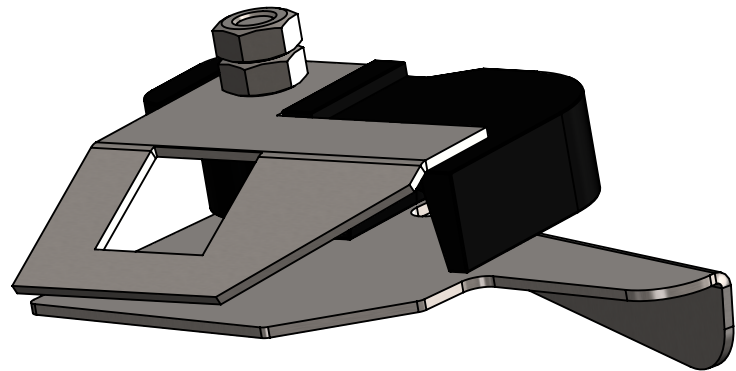
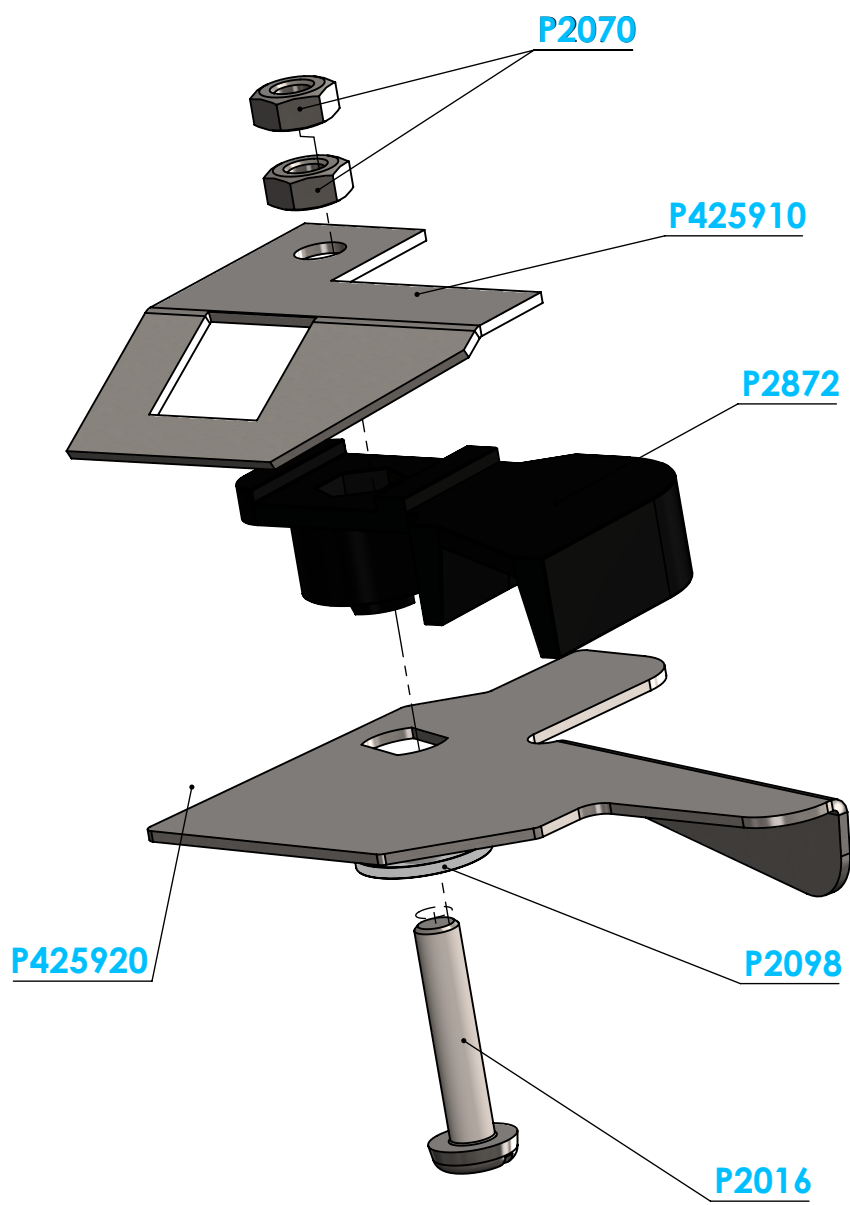
1

B

B

A

A



| PART NUMBER | DESCRIPTION | QTY. |
|-------------|---|------|
| P2016 | M6-1.0 - 30 flathead screw - stainless | 1 |
| P2070 | M6-1.0 Hex Nut - Stainless | 2 |
| P2098 | 1/4" fender washer nylon | 1 |
| P2872 | Black ABS scoop for powdered soap mechanism | 1 |
| P425910 | Sifter for powdered soap mechanism | 1 |
| P425920 | Lever for powdered soap mechanism | 1 |

| | | | | | |
|---|---|---------------------------------|------------------|--|------------|
| | UNLESS OTHERWISE SPECIFIED: | NAME | DATE | TITLE: Powdered Soap Mechanism for Sanispray | |
| | DIMENSIONS ARE IN INCHES TOLERANCES: FRACTIONAL ± ANGULAR: MACH ± BEND ± TWO PLACE DECIMAL ± THREE PLACE DECIMAL ± | DRAWN CHECKED MFG CHK | WH | | 07/27/21 |
| PROPRIETARY AND CONFIDENTIAL THE INFORMATION CONTAINED IN THIS DRAWING IS THE SOLE PROPERTY OF PSD LLC. ANY REPRODUCTION IN PART OR AS A WHOLE WITHOUT THE WRITTEN PERMISSION OF PSD LLC IS PROHIBITED. | INTERPRET GEOMETRIC TOLERANCING PER: MATERIAL Assembly FINISH DO NOT SCALE DRAWING | File Location: COMMENTS: | SIZE B | DWG. NO. SPMI | REV 100 |
| | | SCALE: 1:1 | WEIGHT: | SHEET 1 OF 1 | |

Request for Change

| | |
|------|------|
| Name | Date |
|------|------|

Change Requested